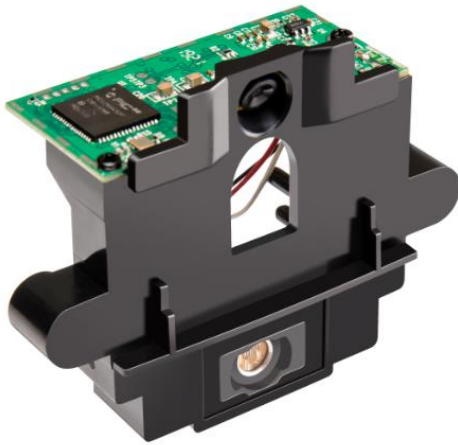


Navigation Sensing Module



Application

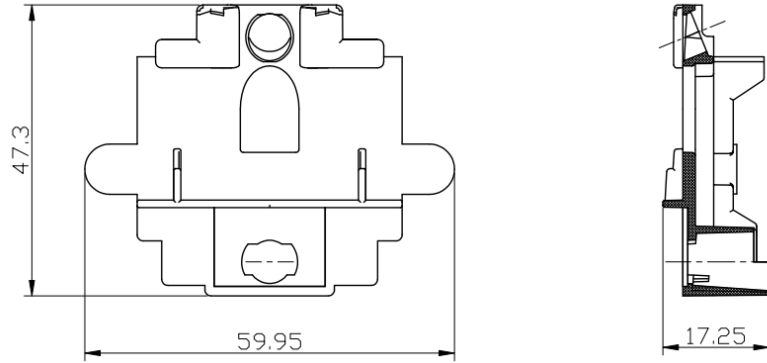
The Navigation Sensing Module projects a 115° laser line with optimized homogeneity, coupled to wide angle optics and specific triangulation calculation, thereby enabling the positioning of an object x and y coordinates up to a 2m meters distance with high accuracy. Its precision, dimensions and ease of use make it the ideal sensor for applications in the industry, the medical field, IoT devices and many more.

Specifications (T=25°C)

Items	High-End	Middle-End	Cost-Effective
FPS	30FPS	15FPS	15FPS
Sensing distance	500mm	500mm	500mm
Operating Voltage	5V	5V	5V
Operating Current	<180mA	<180mA	<180mA
Accuracy at 200mm	<6%	<6%	<6%
Accuracy of X	<6%	<6%	<6%
Optical output power	0.15~0.65mw	0.15~0.65mw	<0.65mw
Line Span Angle	115°	115°	115°
Operating Temperature	-10~40 °C	-10~40 °C	-10~40 °C
PWM Power Control	Yes	Yes	No
Current Protection	Yes	Yes	No
Lens	DOE	DOE	Wave Lens
Soft-Start Function	Yes	Yes	No
Interface	UART	UART	UART



Outline Dimensions



Application

