

Blue Laser Diode

Application

Industrial use / Biomedical

Property

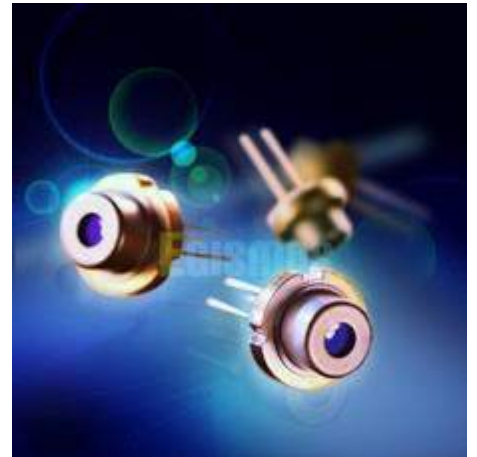
Wavelength $\lambda = 405\text{nm}$

Output Power = 200mW

Package Type = $\varnothing 3.8\text{mm}$

Introduction

Egismos currently markets GaN based blue laser diodes 405nm, 450nm wavelengths range. The low operating current and high temperature of the laser diodes are achieved through using misoriented substrate and MQW (Strain compensated) active layer. Egismos laser diodes are highly rated in a broad range of applications including, but not limited to, laser pointers, green lasers, blue laser DVD, laser barcode scanners, diode laser equipments, medical instruments and aerospace applications.

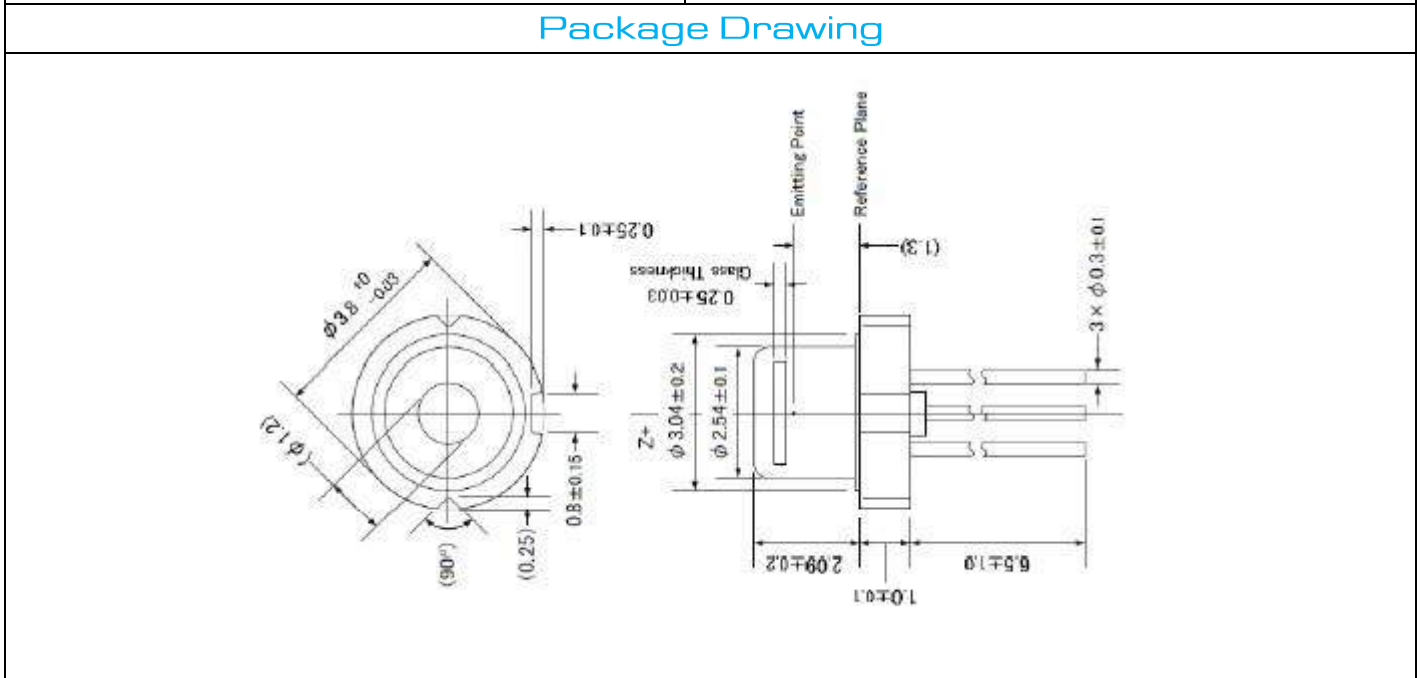
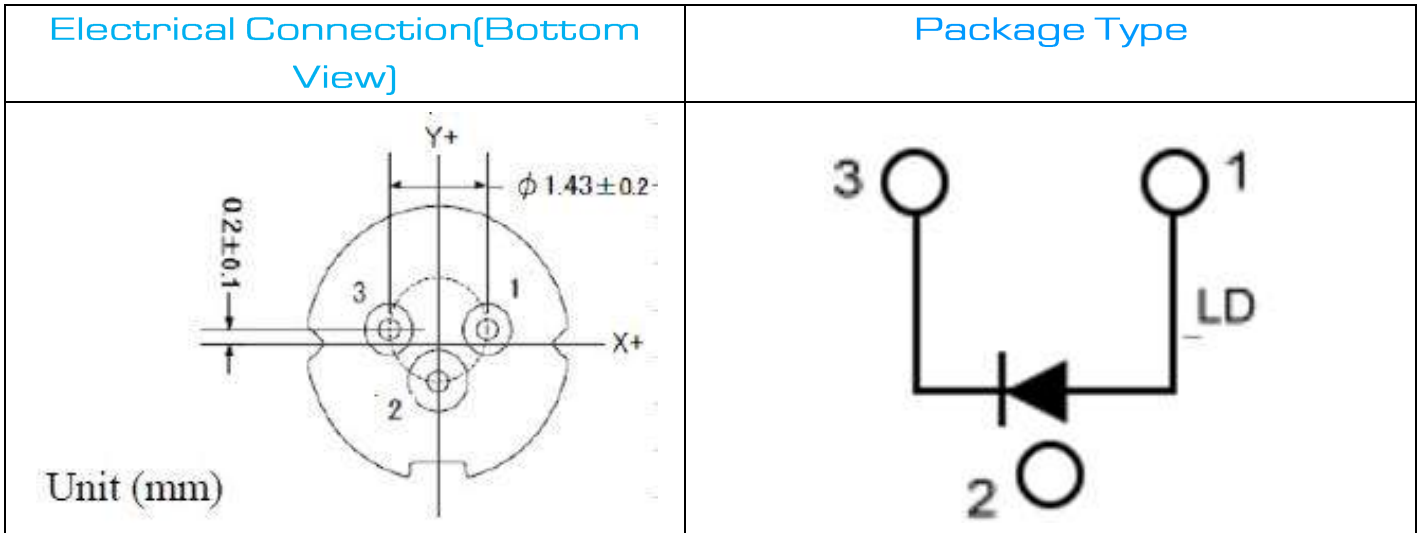


Blue Laser Diode Key features

Absolute Maximum Rating at Tc=25°C			
Items	Symbols	Values	Unit
Optical Output Power	Po(CW)	200	mW
Reverse Voltage	V	2	V
Operating Temperature	To	-10~+70	°C
Storage Temperature	Ts	-10~+70	°C

Electrical and Optical Characteristics at Tc=25°C						
Item	Symbols	Min	Typ.	Max.	Unit	Condition
Optical Output Power	Po	-	-	200	mW	-
Threshold Current	Ith	-	70	80	mA	-
Operating Current	Iop	-	210	230	mA	Po=200mW
Operating Voltage	Vop	-	-	6	V	Po=200mW

Peak Wavelength	λ_p	400	405	410	nm	Po=200mW
Beam Divergence	$\theta_{//}$	7.0	8.5	12	deg	Po=200mW
	θ_{\perp}	16	19	24	deg	Po=200mW



Specifications are subject to change without notice.

