

IR Laser Diode

Application

Industrial use / Biomedical

Property

Wavelength $\lambda = 1064\text{nm}$

Output Power = 150mW

Package Type = \varnothing 9mm

Introduction

Egismos currently markets AlGaAs infrared laser diodes in the 780nm ~ 1550nm wavelengths range. The low operating current and high temperature of the laser diodes are achieved through using misoriented substrate and MQW (Strain compensated) active layer.

Egismos laser diodes are highly rated in a broad range of applications including, but not limited to, laser pointers, green lasers, blue laser DVD, laser barcode scanners, diode laser equipments, medical instruments and aerospace applications.



IR Laser Diode Key features

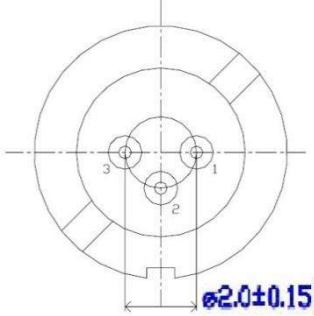
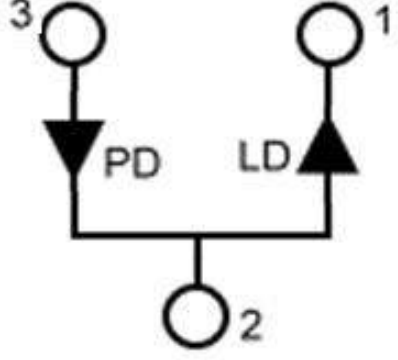
Absolute Maximum Rating at Tc=25°C

Items	Symbols	Values	Unit
Optical Output Power	Po(CW)	150	mW
Reverse Voltage	V	2	V
Operating Temperature	To	0~+40	°C
Storage Temperature	Ts	-20~+70	°C

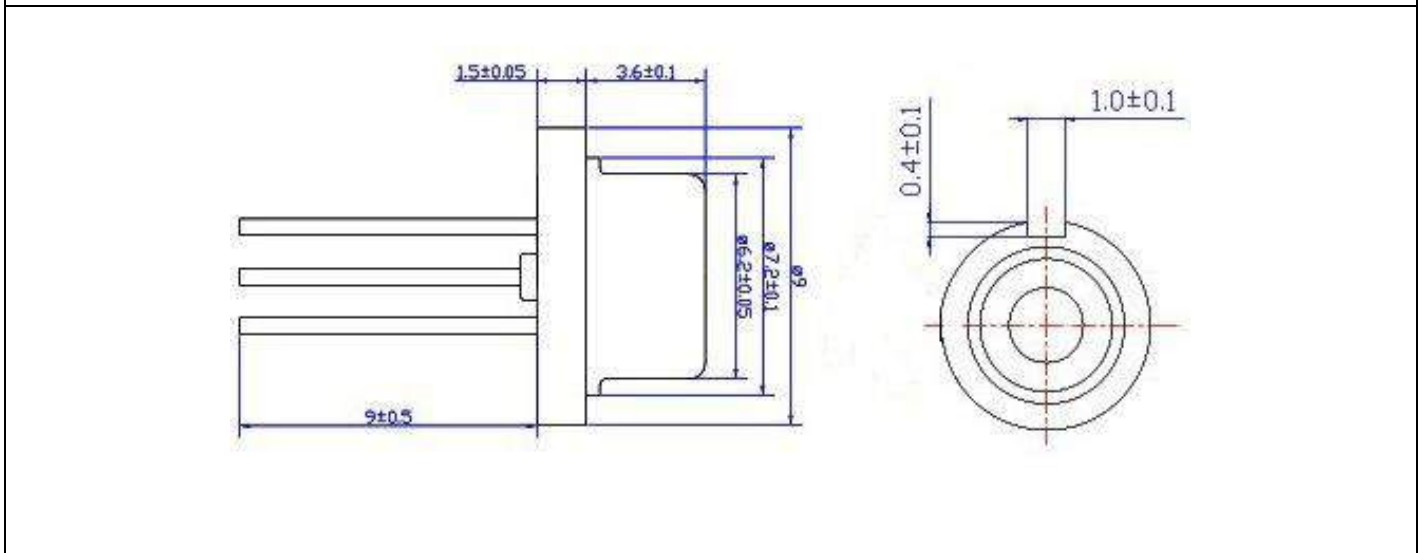
Electrical and Optical Characteristics at Tc=25°C

Item	Symbols	Min	Typ.	Max.	Unit	Condition
Optical Output Power	Po	-	-	150	mW	-
Threshold Current	Ith	-	30	50	mA	-
Operating Current	Iop	-	230	250	mA	Po=150mW
Operating Voltage	Vop	-	2.0	2.5	V	Po=150mW
Peak Wavelength	λ_p	1054	1064	1074	nm	Po=150mW

Beam Divergence	$\theta_{//}$	-	10	-	deg	Po=150mW
	θ_{\perp}	-	42	-	deg	Po=150mW

Electrical Connection(Bottom View)	Package Type
<p>Bottom View</p> 	

Package Drawing



Specifications are subject to change without notice.

