

## D4-7-450-50

### Key features

Visible Light  $\lambda = 450\text{nm}$   
Output Power = 50mW  
Package Type=3.8mm $\Phi$

### Applications

Laser Projector  
Biomedical Application

### Electrical and Optical Characteristics at $T_c=25^\circ\text{C}$

Item	Symbols	Min.	Typ.	Max.	Unit	Condition
Optical Output Power	Po	-	-	50	mW	-
Threshold Current	Ith	10	30	50	mA	Po=50mW
Operating Current	Iop	45	80	125	mA	Po=50mW
Differential Efficiency	SE	0.5	1	1.5	mW/mA	Po=50mW
Operating Voltage	Vop	3.5	4.5	5.5	V	Po=50mW
Peak Wavelength	$\lambda_p$	440	-	450	nm	Po=50mW
Beam Divergence	$\theta_{//}$	5	10	20	deg	Po=50mW
	$\theta_{\perp}$	30	37	50	deg	Po=50mW
Beam Deviation Angle	$\Delta\theta_{//}$	-	-	-	deg	Po=50mW
	$\Delta\theta_{\perp}$	-5	-	5	deg	Po=50mW

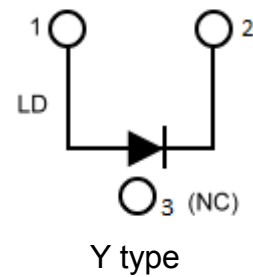
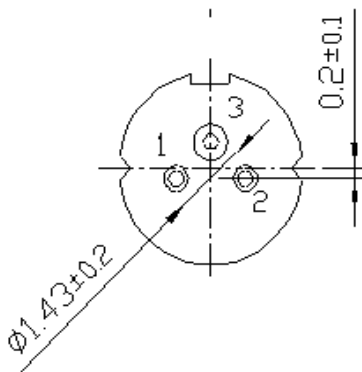
# Egismos Blue Laser Diode

## Absolute Maximum Rating at $T_c=25^{\circ}\text{C}$

Items	Symbols	Values	Unit
Optical Output Power	Po(CW)	200	mW
Laser Diode Reverse Voltage	V	5	V
Operating Temperature	To	-10~+70	$^{\circ}\text{C}$
Storage Temperature	Ts	-40~+85	$^{\circ}\text{C}$

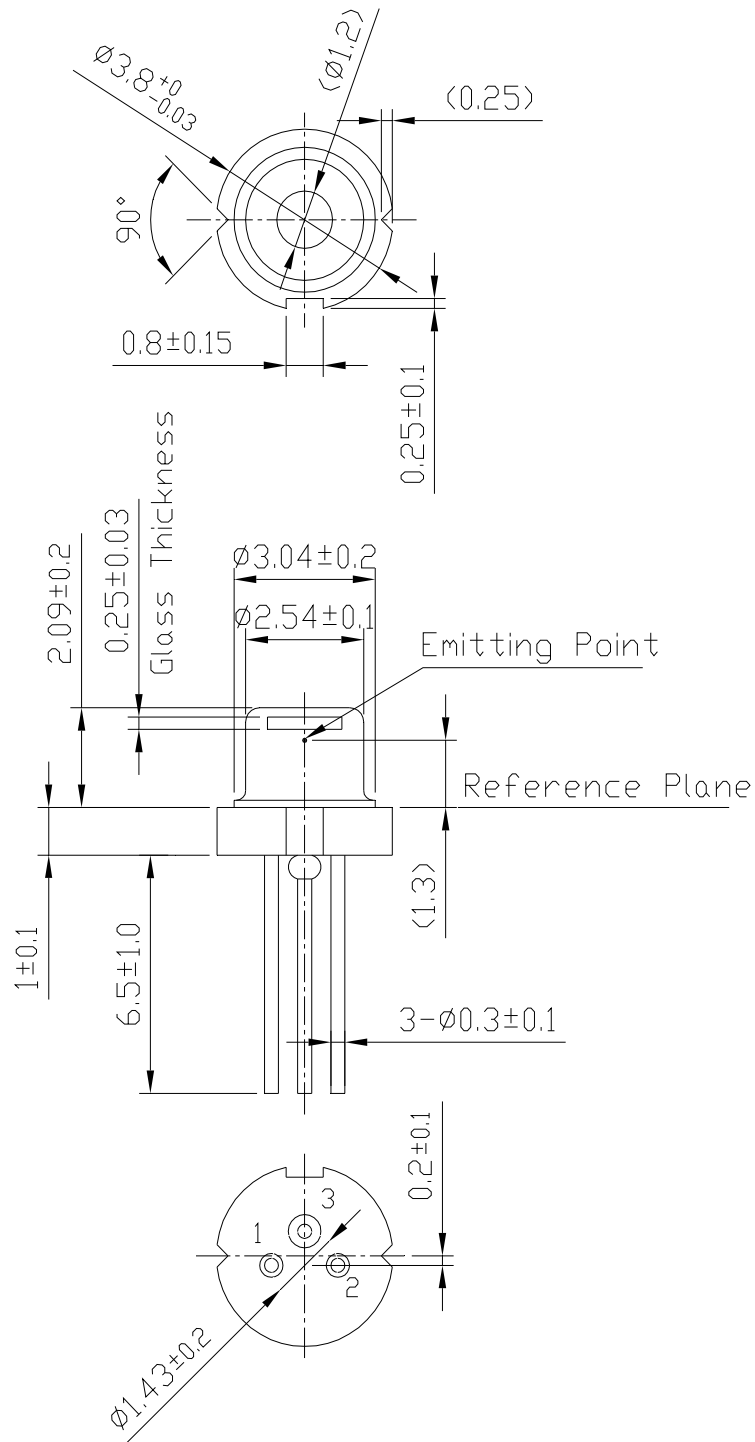
## Electrical Connection

## Package Type



# EGISMOS Blue Laser Diode

## Package Drawing



D4745050-a

**EGISMOS**

www.egismos.com  
TEL: +1-360-389-3347  
FAX: +1-360-326-7275  
sales@egismos.com