

D6-7-405-120

Key features

Visible Light $\lambda = 405\text{nm}$
Output Power =120mW
Package Type=5.6mm Φ

Applications

Blue-ray Disc/HD DVD drive

Electrical and Optical Characteristics at $T_c=25^\circ\text{C}$

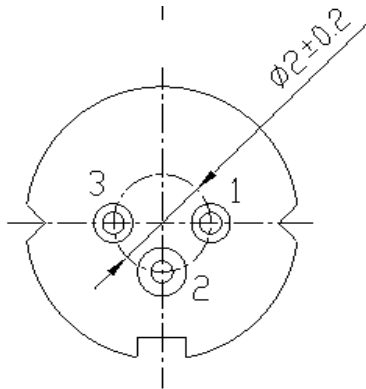
Item	Symbols	Min.	Typ.	Max.	Unit	Condition
Optical Output Power	Po	-	120	-	mW	-
Threshold Current	Ith	-	35	50	mA	Po=100mW
Operating Current	Iop	-	100	115	mA	Po=100mW
Differential Efficiency	SE	-	1.3	1.6	mW/mA	Po=100mW
Operating Voltage	Vop	-	4.8	5.5	V	Po=100mW
Peak Wavelength	λ_p	400	406	415	nm	Po=100mW
Beam Divergence	$\theta_{//}$	6	9	14	deg	Po=100mW
	θ_{\perp}	16	20	24	deg	Po=100mW
Beam Deviation Angle	$\Delta\theta_{//}$	-3	-	3	deg	Po=100mW
	$\Delta\theta_{\perp}$	-3	-	3	deg	Po=100mW

EGISMOS Blue Laser Diode

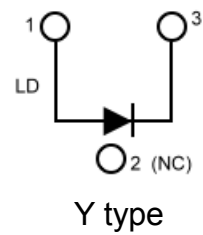
Absolute Maximum Rating at Tc=25°C

Items	Symbols	Values	Unit
Optical Output Power	Po(CW)	120	mW
Laser Diode Reverse Voltage	V	5	V
Operating Temperature	To	0~+70	°C
Storage Temperature	Ts	-40~+85	°C

Electrical Connection

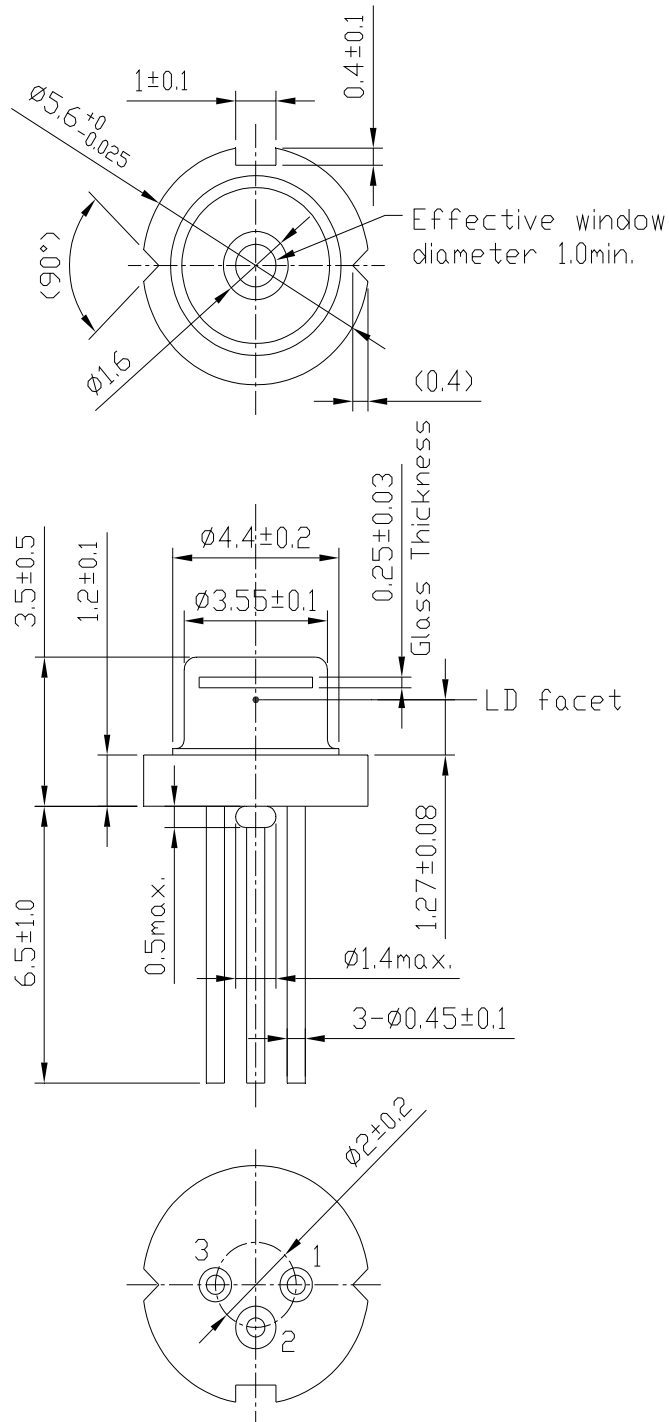


Package Type



Egismos Blue Laser Diode

Package Drawing



D67405120-a

Egismos

www.egismos.com
TEL: +1-360-389-3347
FAX: +1-360-326-7275
sales@egismos.com