

D6-7-405-35

Key features

Visible Light $\lambda = 405\text{nm}$
Output Power =35mW
Package Type=5.6mm Φ

Applications

Blue-ray Disc/HD DVD drive

Electrical and Optical Characteristics at $T_c=25^\circ\text{C}$

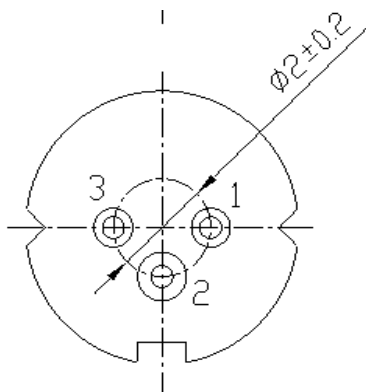
Item	Symbols	Min.	Typ.	Max.	Unit	Condition
Optical Output Power	Po	-	35	-	mW	-
Threshold Current	Ith	-	38	55	mA	Po=35mW
Operating Current	Iop	-	75	100	mA	Po=35mW
Differential Efficiency	SE	0.8	1.2	-	mW/mA	Po=35mW
Operating Voltage	Vop	-	4.8	6	V	Po=35mW
Peak Wavelength	λ_p	395	405	415	nm	Po=35mW
Monitoring Output Current	Im	0.1	0.2	1	mA	Po=35mW
Beam Divergence	$\Theta_{//}$	6	9	14	deg	Po=35mW
	Θ_{\perp}	16	20	24	deg	Po=35mW

EGISMOS Blue Laser Diode

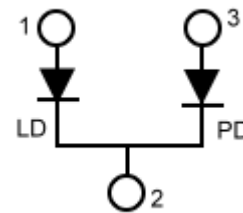
Absolute Maximum Rating at Tc=25°C

Items	Symbols	Values	Unit
Optical Output Power	Po(CW)	35	mW
Laser Diode Reverse Voltage	V	5	V
Photo Diode Reverse Voltage	V	30	V
Operating Temperature	To	-10~+70	°C
Storage Temperature	Ts	-40~+85	°C

Electrical Connection



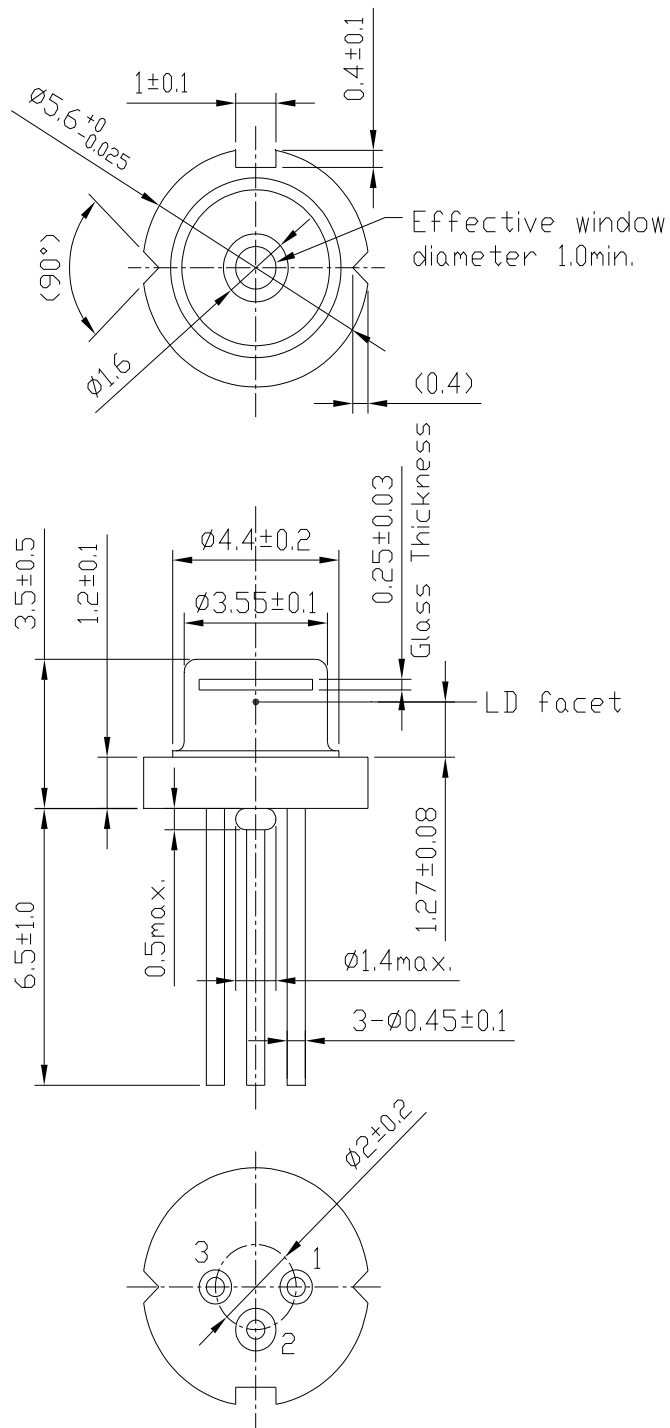
Package Type



M type

EGISMOS Blue Laser Diode

Package Drawing



D6740535-a

EGISMOS

www.egismos.com
TEL: +1-360-389-3347
FAX: +1-360-326-7275
sales@egismos.com