

D6-6-780-10

Key features

Invisible Light $\lambda = 780\text{nm}$
Output Power = 10mW
Package Type = 5.6mm Φ

Applications

General Purpose Infrared Laser Light Source
Printer Scanner Unit & Infrared Laser Module for Industry Application
Optical Storage & High Precision Engineering Instruments

Electrical and Optical Characteristics at $T_c = -25^\circ\text{C}$

Item	Symbols	Min.	Typ.	Max.	Unit	Condition
Optical Output Power	Po	-	10	-	mW	-
Threshold Current	Ith	8	12	18	mA	Po=10mW
Operating Current	Iop	-	22	40	mA	Po=10mW
Differential Efficiency	SE	0.55	0.75	0.95	mW/mA	Po=10mW
Monitor Current	Im	0.5	0.7	1.5	mA	Po=10mW
Operating Voltage	Vop	1.5	1.8	2.4	V	Po=10mW
Peak Wavelength	λ_p	775	788	800	nm	Po=10mW
Beam Divergence	$\theta_{//}$	6	8	11	deg	Po=10mW
	θ_{\perp}	25	31	35	deg	Po=10mW
Beam Deviation Angle	$\Delta\theta_{//}$	-2	-	2	deg	Po=10mW
	$\Delta\theta_{\perp}$	-3	-	3	deg	Po=10mW

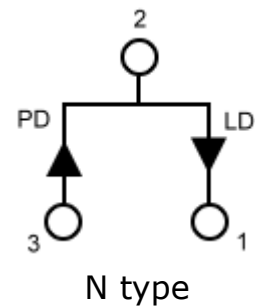
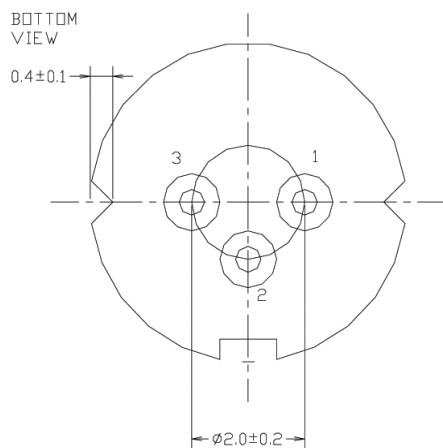
EGISMOS IR Laser Diode

Absolute Maximum Rating at Tc=25°C

Items	Symbols	Values	Unit
Optical Output Power	Po(CW)	12	mW
Laser Diode Reverse Voltage	V	2	V
Photo Diode Reverse Voltage	V	30	V
Operating Temperature	To	-10~+60	°C
Storage Temperature	Ts	-40~+85	°C

Electrical Connection

Package Type



Package Drawing

