

D6-6-780-5

Key features

Invisible Light $\lambda = 780\text{nm}$
Output Power = 5mW
Package Type = 5.6mm Φ

Applications

General Purpose Infrared Laser Light Source
Printer Scanner Unit & Infrared Laser Module for Industry Application
Optical Storage & High Precision Engineering Instruments

Electrical and Optical Characteristics at $T_c = -25^\circ\text{C}$

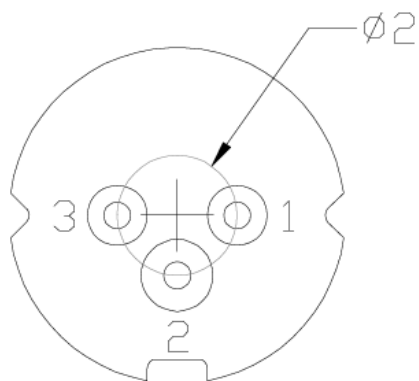
Item	Symbols	Min.	Typ.	Max.	Unit	Condition
Optical Output Power	Po	-	5	-	mW	-
Threshold Current	Ith	10	20	25	mA	Po=5mW
Operating Current	Iop	-	28	40	mA	Po=5mW
Differential Efficiency	SE	0.4	0.5	0.7	mW/mA	Po=5mW
Monitor Current	Im	-	0.5	1	mA	Po=5mW
Operating Voltage	Vop	-	1.9	2.5	V	Po=5mW
Peak Wavelength	λ_p	770	785	795	nm	Po=5mW
Beam Divergence	$\theta_{//}$	8	10	12	deg	Po=5mW
	θ_{\perp}	25	29	32	deg	Po=5mW
Beam Deviation Angle	$\Delta\theta_{//}$	-2	-	2	deg	Po=5mW
	$\Delta\theta_{\perp}$	-3	-	3	deg	Po=5mW

Egismos IR Laser Diode

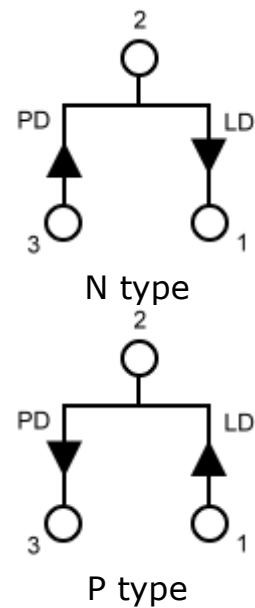
Absolute Maximum Rating at Tc=25°C

Items	Symbols	Values	Unit
Optical Output Power	Po(CW)	5	mW
Laser Diode Reverse Voltage	V	2	V
Photo Diode Reverse Voltage	V	30	V
Operating Temperature	To	-10~+60	°C
Storage Temperature	Ts	-40~+80	°C

Electrical Connection



Package Type



EGISMOS IR Laser Diode

Package Drawing

