

D6-7-780-100

Key features

Invisible Light $\lambda = 780\text{nm}$
Output Power = 100mW
Package Type = 5.6mm Φ

Applications

General Purpose Infrared Laser Light Source
Printer Scanner Unit & Infrared Laser Module for Industry Application
Optical Storage & High Precision Engineering Instruments
Virtual Keyboard / CD R/RW

Electrical and Optical Characteristics at $T_c=25^\circ\text{C}$

Item	Symbols	Min.	Typ.	Max.	Unit	Condition
Optical Output Power	Po	-	-	100	mW	-
Threshold Current	Ith	-	32	-	mA	Po=100mW
Operating Current	Iop	-	120	-	mA	Po=100mW
Differential Efficiency	SE	-	1.15	-	mW/mA	Po=100mW
Operating Voltage	Vop	-	2	2.4	V	Po=100mW
Peak Wavelength	λ_p	779	784	789	nm	Po=100mW
Beam Divergence	$\theta_{//}$	-	8.4	-	deg	Po=100mW
	θ_{\perp}	-	16	-	deg	Po=100mW

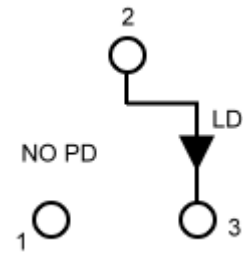
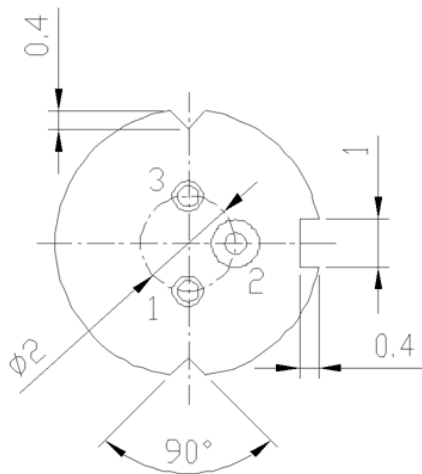
EGISMOS IR Laser Diode

Absolute Maximum Rating at Tc=25°C

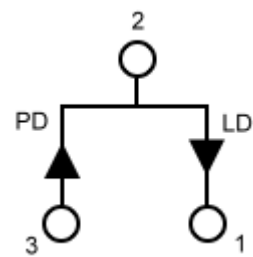
Items	Symbols	Values	Unit
Optical Output Power	Po(CW)	100	mW
Laser Diode Reverse Voltage	V	2	V
Photo Diode Reverse Voltage	V	75	V
Operating Temperature	To	-10~+75	°C
Storage Temperature	Ts	-40~+100	°C

Electrical Connection

Package Type

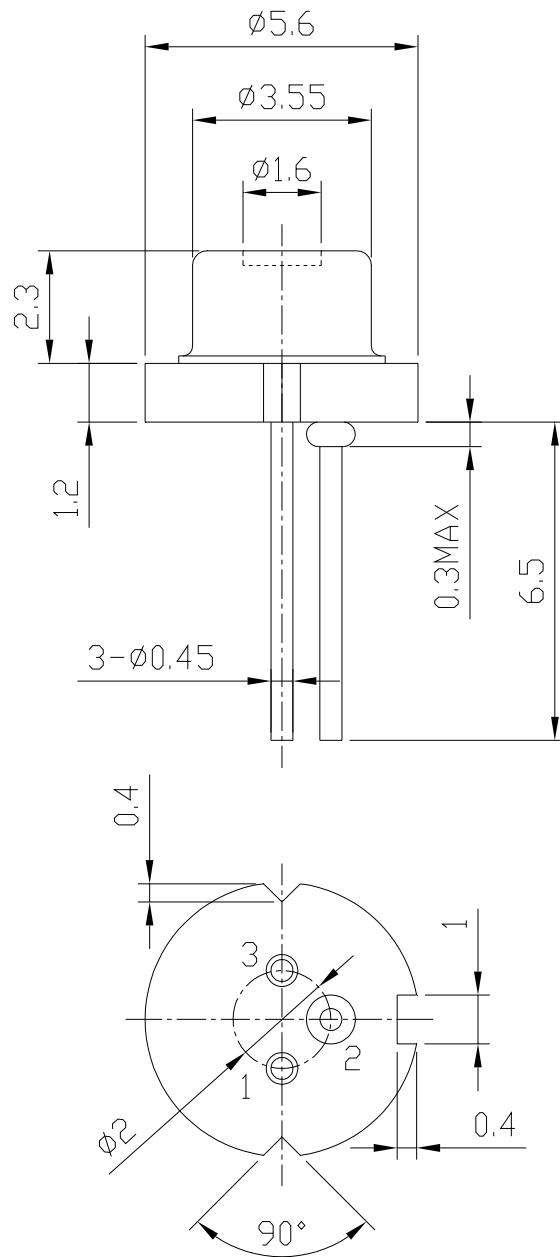


X type

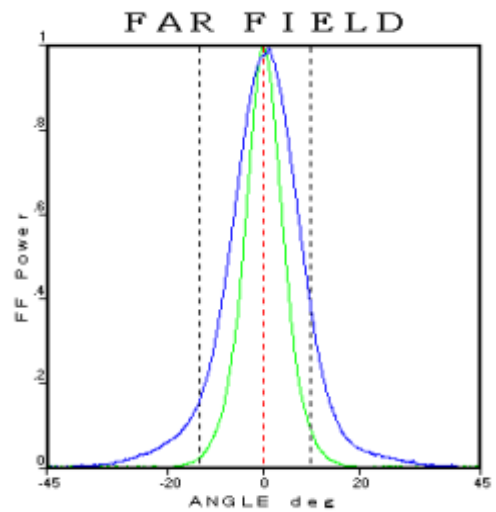
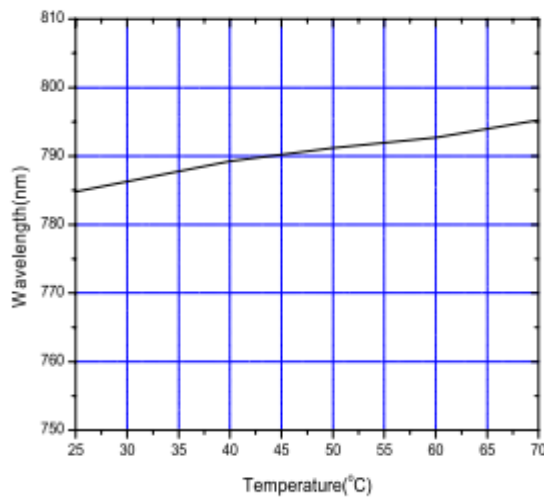
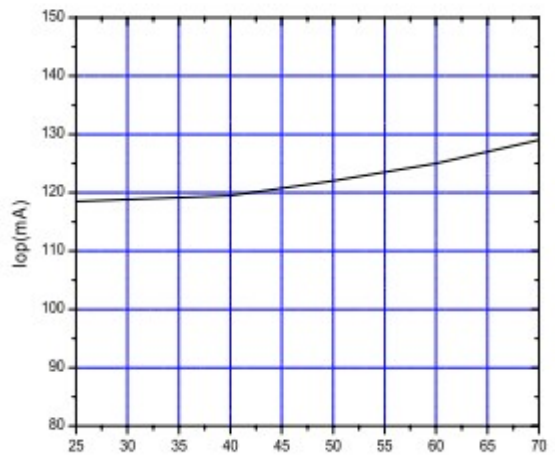
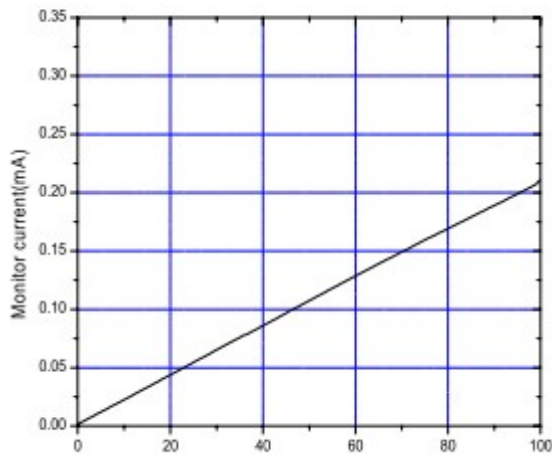
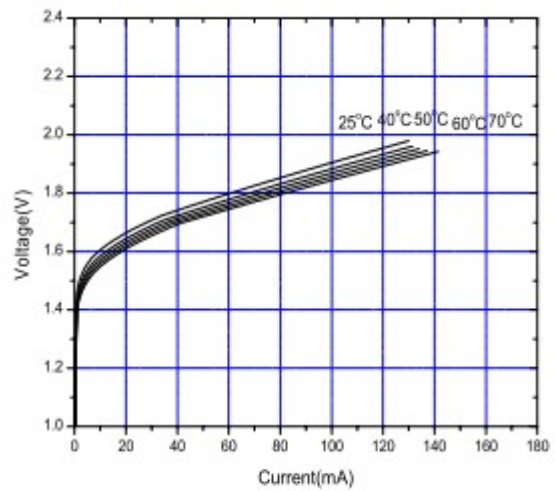
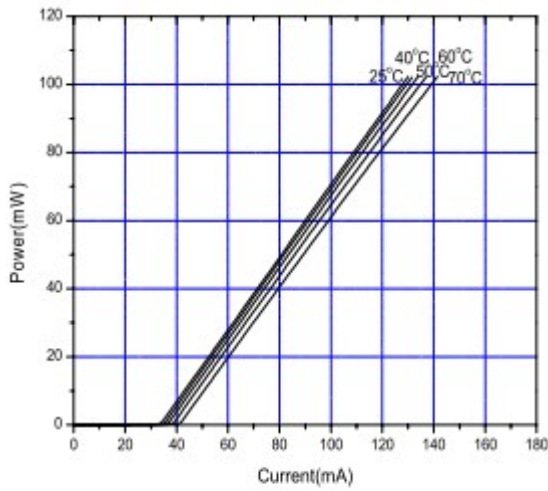


N type

Package Drawing



EGISMOS IR Laser Diode



D67780100-a

EGISMOS

www.egismos.com
 TEL: +1-360-389-3347
 FAX: +1-360-326-7275
 sales@Egismos.com