

## D9-4-808-1000

### Key features

Invisible Light  $\lambda = 808\text{nm}$   
Output Power = 1000mW  
Package Type = 9.0mm $\Phi$

### Applications

General Purpose Infrared Laser Light Source  
Medical Application & Infrared Laser Module for Industry Application

### Electrical and Optical Characteristics at $T_c=25^\circ\text{C}$

Item	Symbols	Min.	Typ.	Max.	Unit	Condition
Optical Output Power	Po	-	1	-	W	-
Threshold Current	Ith	-	0.1	0.2	A	Po=1W
Operating Current	Iop	-	1.1	1.2	A	Po=1W
Operating Voltage	Vop	-	2	2.3	V	Po=1W
Differential Efficiency	SE	-	1	-	W/A	Po=1W
Peak Wavelength	$\lambda_p$	805	808	812	nm	Po=1W
Beam Divergence	$\theta_{//}$	8	10	14	deg	Po=1W
	$\theta_{\perp}$	30	35	40	deg	Po=1W
Beam Deviation Angle	$\Delta\theta_{//}$	-3	-	3	deg	Po=1W
	$\Delta\theta_{\perp}$	-3	-	3	deg	Po=1W

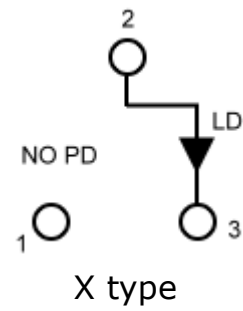
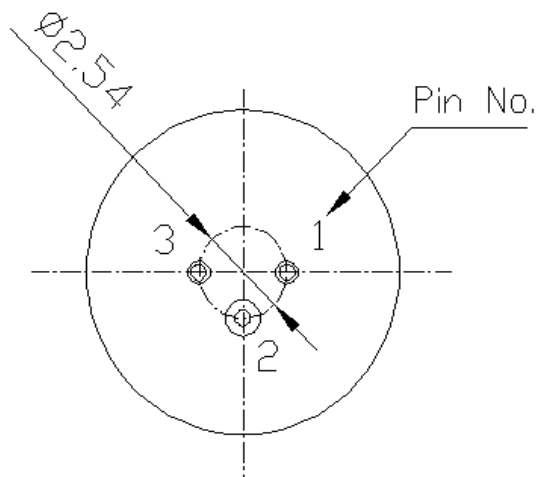
# Egismos IR Laser Diode

## Absolute Maximum Rating at Tc=25°C

Items	Symbols	Values	Unit
Optical Output Power	Po(CW)	1	W
Laser Diode Reverse Voltage	V	2	V
Operating Temperature	To	-10~+40	°C
Storage Temperature	Ts	-40~+80	°C

## Electrical Connection

## Package Type



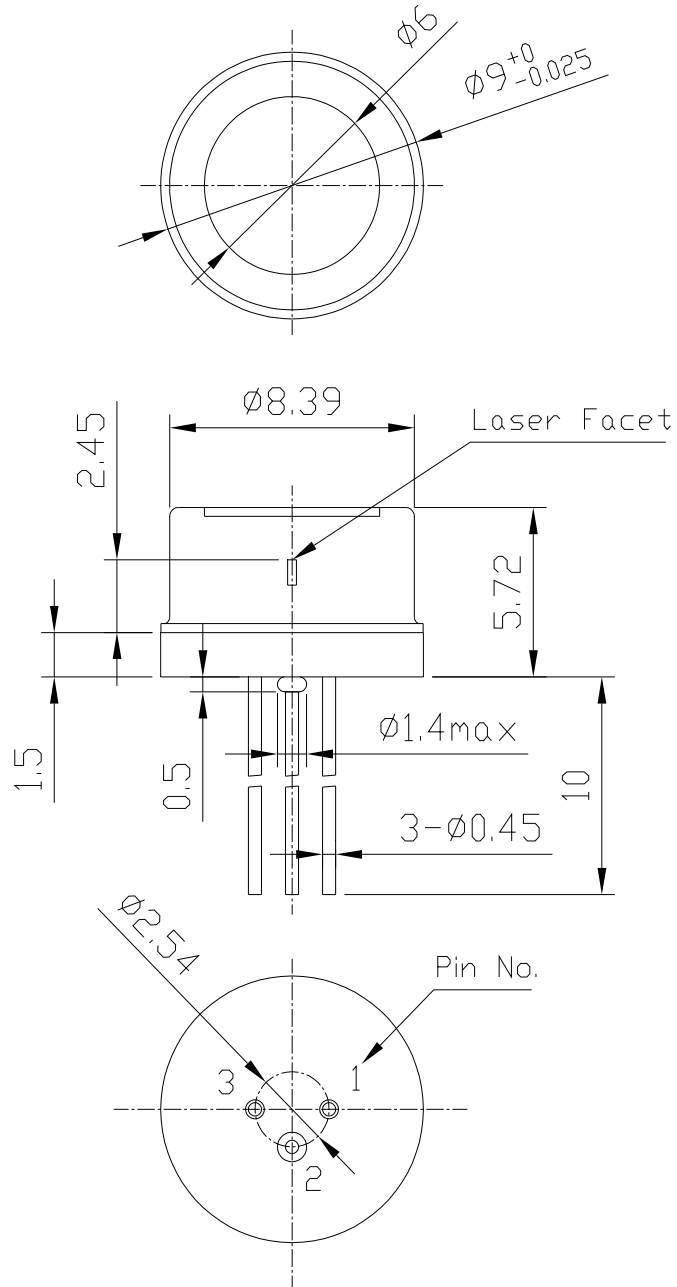
## Package Drawing

D94808500-a

**Egismos**

www.egismos.com  
TEL: +1-360-389-3347  
FAX: +1-360-326-7275  
sales@Egismos.com

# EGISMOS IR Laser Diode



D94808500-a

**EGISMOS**

www.egismos.com  
TEL: +1-360-389-3347  
FAX: +1-360-326-7275  
sales@Egismos.com