

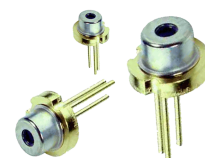
Egismos *DATASHEET*

406nm Compact Laser Diode Modules Key features

Visible light $\lambda = 406\text{nm}$
 Output powers $\approx 20\text{mW}$
 Package type $= 5.6\text{mm}\Phi$
 High reliability

Applications

Blu-ray Disc/HD DVD drive
 Other new application



CS-D6-7-406-20

Laser Diode Solutions

CS-D6-7-406-20 is a MOCVD grown 406nm band InGaAs laser diode. It's an attractive light source, with a typical light output power of CW 20mW. It's suitable for use as high reliability laser diode in a wide range of industrial application.

Electrical and Optical Characteristics at $T_c = 25^\circ\text{C}$

Item	Symbols	Min.	Typ.	Max.	Unit	Condition
Optical Output Power	Po	-	20	-	mW	-
Threshold Current	Ith	-	25	50	mA	Po=10mW
Operating Current	Iop	-	35	60	mA	Po=10mW
Differential Efficiency	η	0.7	1.1	1.6	mW/mA	6mW
						I(10mW)-I(4mW)
Operating Voltage	Vop	-	4.8	5.8	V	Po=10mW
Peak Wavelength	λ_p	400	406	415	nm	Po=10mW
Beam Divergence	$\Theta_{//}$	6.0	9.5	12.0	deg	Po=5mW
	Θ_{\perp}	15	20	24	deg	Po=5mW
Beam Angle	$\Delta\Theta_{//}$	-2.5	-	+2.5	deg	Po=5mW
	$\Delta\Theta_{\perp}$	-3	-	+3	deg	Po=5mW

* Angle at 50% peak intensity (full-width at half-maximum)

* Parallel to the junction plane (X-Z plane)

Perpendicular to the junction plane (Y-Z plane)

Egismos

<http://www.egismos.com>

TEL: +1-888-3481454

FAX: +1-604-4339864

E-Mail: sales@egismos.com

Egismos *DATASHEET*

Absolute Maximum Rating at Tc=25°C

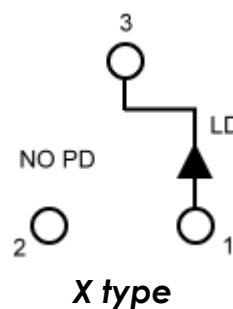
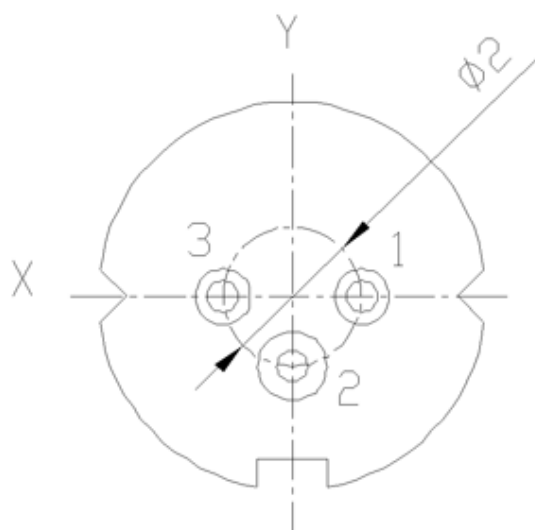
Items	Symbols	Values	Unit
Optical Output Power	Po	20	mW
Laser Diode Reverse Voltage	V	2	V
Operating Temperature	To	-0~+75	°C
Storage Temperature	Ts	-40~+85	°C
Soldering temperature	Tsld	300	°C



CS-D6-7-406-20

Electrical Connection

Package Type



Egismos

<http://www.egismos.com>

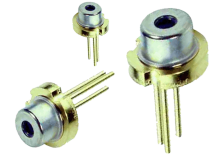
TEL:+1-888-3481454

FAX:+1-604-4339864

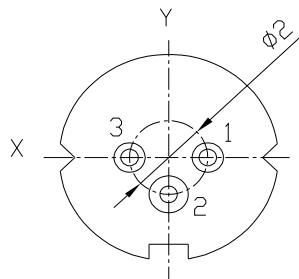
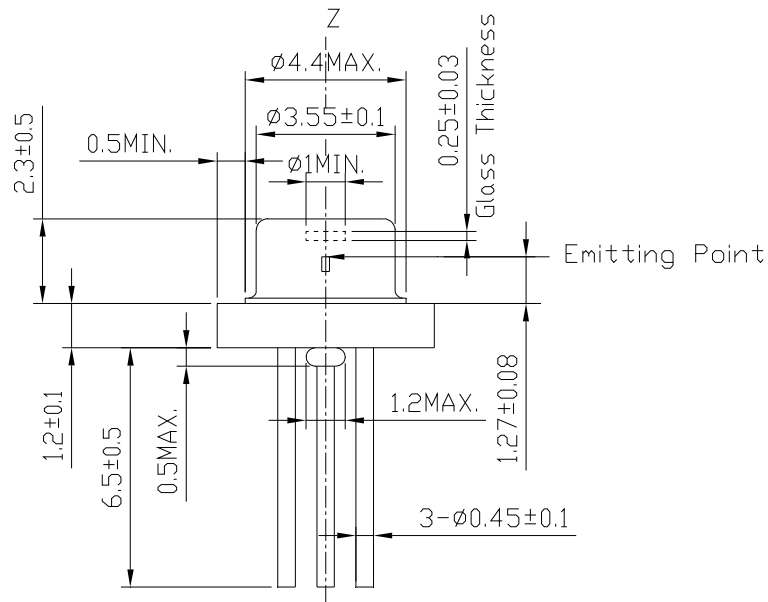
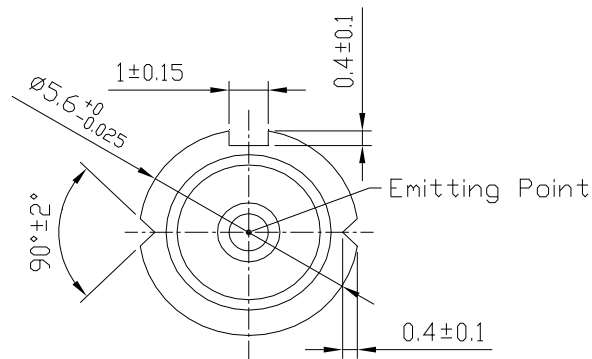
E-Mail:sales@eGismos.com

Egismos *DATASHEET*

Laser Diode Package Drawing



CS-D6-7-406-20



Egismos

<http://www.egismos.com>

TEL: +1-888-3481454

FAX: +1-604-4339864

E-Mail: sales@egismos.com