

EGISMOS *DATASHEET*

445nm Compact Laser Diode Modules Key features

Visible light $\lambda = 445\text{nm}$
 Output powers $\approx 50\text{mW}$
 Package type $= 5.6\text{mm}\Phi$
 Multi Transverse Mode

Applications

Blu-ray Disc/HD DVD drive
 Other new application



CS-D6-7-445-50

Laser Diode Solutions

CS-D6-7-445-50 is a MOCVD grown 445nm band InGaAs laser diode. It's an attractive light source, with a typical light output power of CW 50mW. It's suitable for use as high reliability laser diode in a wide range of industrial application.

Electrical and Optical Characteristics at $T_c = 25^\circ\text{C}$

Item	Symbols	Min.	Typ.	Max.	Unit	Condition
Optical Output Power	Po	-	-	50	mW	CW
Threshold Current	Ith	10	30	50	mA	CW
Operating Current	Iop	45	80	125	mA	Po=50mW
Slope Efficiency	SE	0.5	1.0	1.5	mW/mA	
Operating Voltage	Vop	3.5	4.5	5.5	V	Po=50mW
Peak Wavelength	λ_p	440	-	455	nm	Po=50mW
Beam Divergence	$\Theta_{//}$	5	10	20	deg	Po=50mW
	Θ_{\perp}	30	37	50	deg	Po=50mW
Beam Angle	$\Delta\Theta_{//}$	-5	-	+5	deg	Po=50mW
	$\Delta\Theta_{\perp}$	-5	-	+5	deg	Po=50mW
Emmission Point Accuracy	$\Delta X, Y, Z$	-8	-	+8	Mm	-

EGISMOS

<http://www.egismos.com>
 TEL: +1-888-3481454
 FAX: +1-604-4339864
 E-Mail: sales@eGismos.com

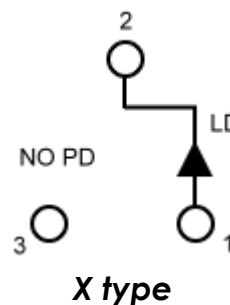
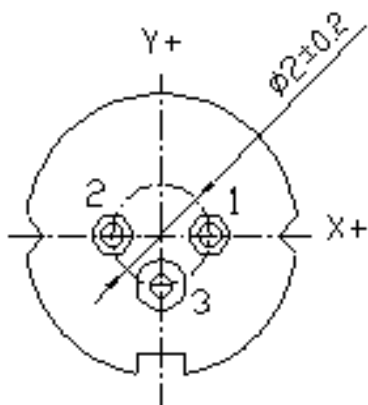
Egismos *DATASHEET*

Absolute Maximum Rating at $T_c=25^{\circ}\text{C}$

Items	Symbols	Values	Unit
Optical Output Power	Po	80	mW
Laser Diode Reverse Voltage	V	5	V
Operating Temperature	To	-10~+70	$^{\circ}\text{C}$
Storage Temperature	Ts	-35~+85	$^{\circ}\text{C}$

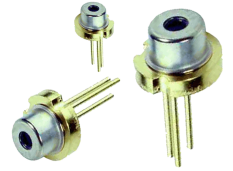
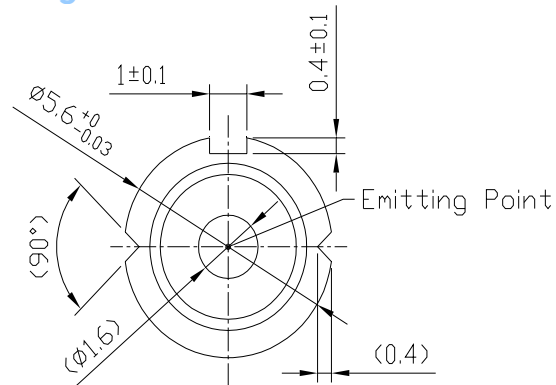
Electrical Connection

Package Type

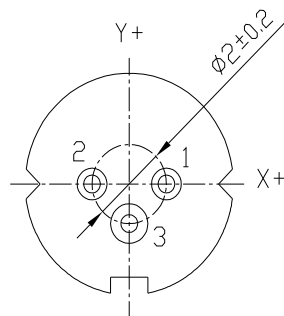
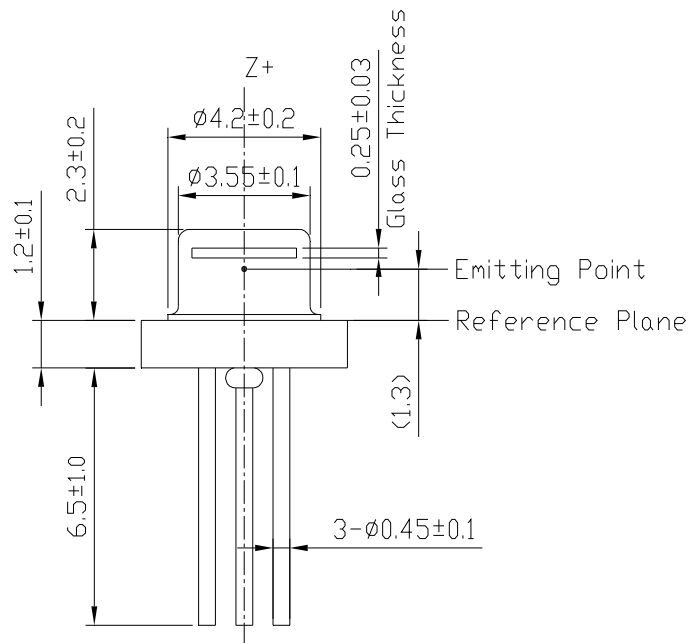


Egismos *DATASHEET*

Laser Diode Package Drawing



CS-D6-7-445-50



Egismos

<http://www.egismos.com>

TEL:+1-888-3481454

FAX:+1-604-4339864

E-Mail:sales@eGismos.com