

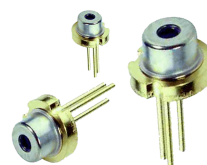
Egismos *DATASHEET*

660nm Compact Laser Diode Modules Key features

Visible light $\lambda = 660\text{nm}$
 Output powers = 100mW
 Package type = 5.6mm Φ
 High reliability

Applications

Laser Pointer & General Purpose Red Laser Light Source
 Laser Module & High Precision Engineering Instruments
 Optical Sensor Application of Engineering Instruments



LS-D6-7-660-100

Laser Diode Solutions

LS-D6-7-660-100 is a MOCVD grown 660nm band InGaAs laser diode. It's an attractive light source, with a typical light output power of CW 100mW. It's suitable for use as high reliability laser diode in a wide range of industrial application.

Electrical and Optical Characteristics at $T_c = 25^\circ\text{C}$

Item	Symbols	Min.	Typ.	Max.	Unit	Condition
Optical Output Power	Po	-	-	100	mW	CW
Threshold Current	Ith	-	65	-	mA	Po=100mW
Operating Current	Iop	-	150	-	mA	Po=100mW
Slope Efficiency	SE	-	0.95	-	mW/mA	Po=100mW
Operating Voltage	Vop	-	2.6	3.0	V	Po=100mW
Peak Wavelength	λ_p	653	658	663	nm	Po=100mW
Beam Divergence	$\Theta_{//}$		9.5		deg	Po=100mW
	Θ_{\perp}		20		deg	Po=100mW
Beam Angle	$\Delta\Theta_{//}$	-3	-	+3	deg	Po=100mW
	$\Delta\Theta_{\perp}$	-3	-	+3	deg	Po=100mW

Egismos

<http://www.egismos.com>

TEL:+1-888-3481454

FAX:+1-604-4339864

E-Mail:sales@eGismos.com

EGISMOS *DATASHEET*

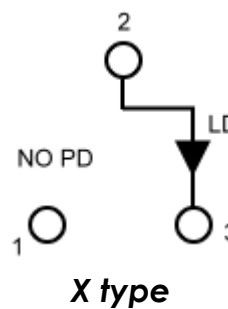
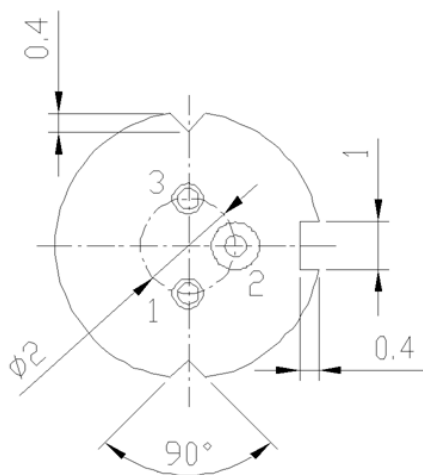
Absolute Maximum Rating at Tc=25°C

Items	Symbols	Values	Unit
Optical Output Power	Po	100	mW
Laser Diode Reverse Voltage	V	2	V
Photo Diode Reverse Voltage	V	30	V
Operating Temperature	To	-10~+75	°C
Storage Temperature	Ts	-40~+100	°C



Electrical Connection

Package Type

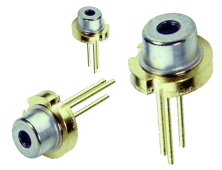


EGISMOS

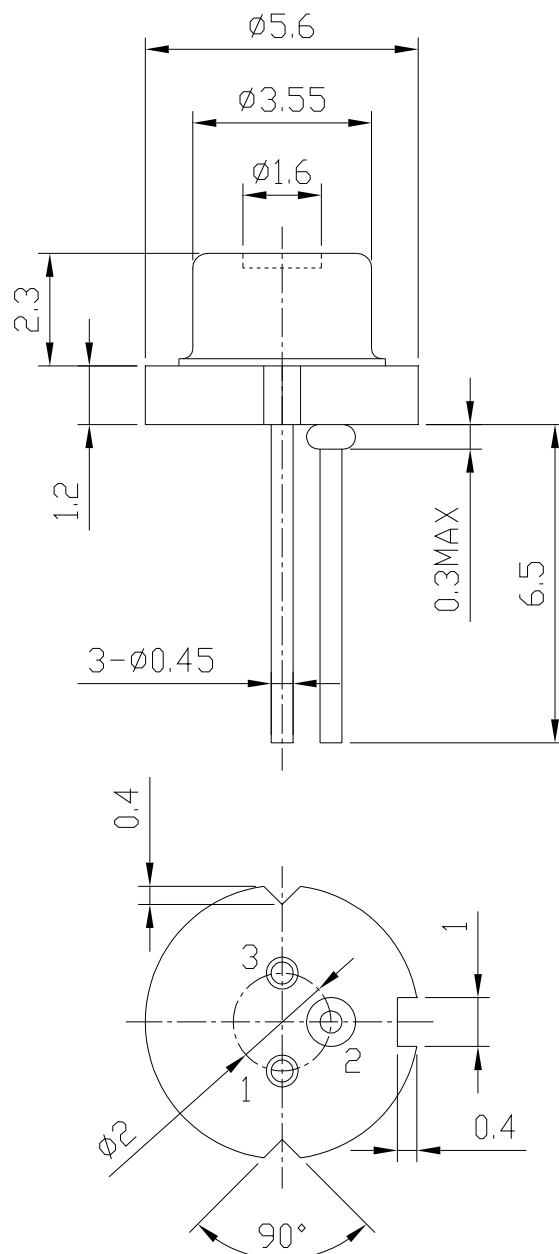
<http://www.egismos.com>
 TEL:+1-888-3481454
 FAX:+1-604-4339864
 E-Mail:sales@eGismos.com

Egismos *DATASHEET*

Laser Diode Package Drawing



LS-D6-7-660-100



Egismos

<http://www.egismos.com>

TEL:+1-888-3481454

FAX:+1-604-4339864

E-Mail:sales@eGismos.com