

Egismos *DATASHEET*

780nm Compact Laser Diode Modules Key features

Visible light $\lambda = 780\text{nm}$
Output powers = 100mW
Package type = 5.6mm Φ
High reliability

Applications

General Purpose Infrared Red Laser Light Source
Printer Scanner Unit & Infrared Red Laser Module for Industry Application
Optical Storage & High Precision Engineering Instruments
Vircure Keyboard / CD R/RW



LS-D6-7-780-100

Laser Diode Solutions

LS-D6-7-780-100 is a MOCVD grown 780nm band InGaAs laser diode. It's an attractive light source, with a typical light output power of CW 100mW. It's suitable for use as high reliability laser diode in a wide range of industrial application.

Electrical and Optical Characteristics at $T_c = 25^\circ\text{C}$

| Item | Symbols | Min. | Typ. | Max. | Unit | Condition |
|----------------------|------------------|------|------|------|-------|-----------|
| Optical Output Power | Po | - | - | 100 | mW | CW |
| Threshold Current | Ith | - | 32 | - | mA | Po=100mW |
| Operating Current | Iop | - | 120 | - | mA | Po=100mW |
| Slope Efficiency | SE | - | 1.15 | - | mW/mA | Po=100mW |
| Operating Voltage | Vop | - | 2.0 | 2.4 | V | Po=100mW |
| Peak Wavelength | λ_p | 779 | 784 | 789 | nm | Po=100mW |
| Beam Divergence | $\Theta_{//}$ | - | 8.4 | - | deg | Po=100mW |
| | Θ_{\perp} | - | 16 | - | deg | Po=100mW |

Egismos

<http://www.egismos.com>
TEL: +1-888-3481454
FAX: +1-604-4339864
E-Mail: sales@egismos.com

EGISMOS *DATASHEET*

Absolute Maximum Rating at Tc=25°C

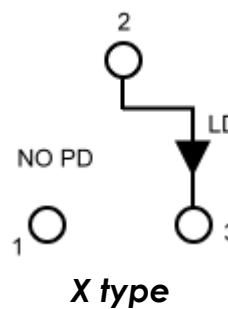
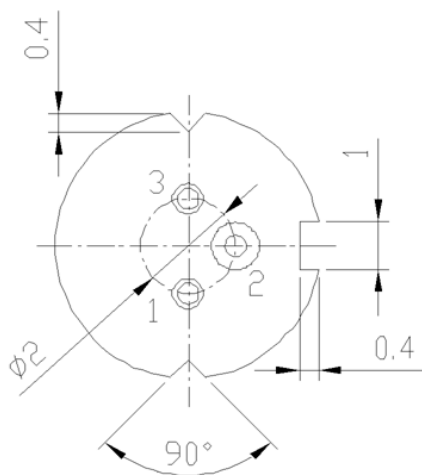
| Items | Symbols | Values | Unit |
|-----------------------------|---------|----------|------|
| Optical Output Power | Po | 100 | mW |
| Laser Diode Reverse Voltage | V | 2 | V |
| Photo Diode Reverse Voltage | V | 75 | V |
| Operating Temperature | To | -10~+75 | °C |
| Storage Temperature | Ts | -40~+100 | °C |



LS-D6-7-780-100

Electrical Connection

Package Type



EGISMOS

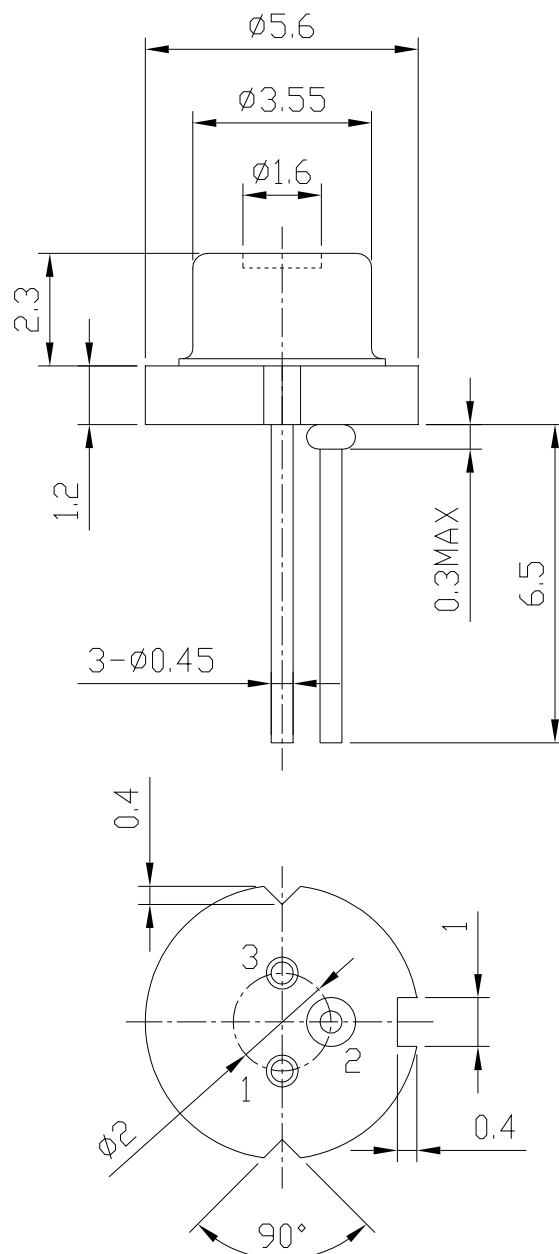
<http://www.egismos.com>
 TEL:+1-888-3481454
 FAX:+1-604-4339864
 E-Mail:sales@eGismos.com

Egismos *DATASHEET*

Laser Diode Package Drawing



LS-D6-7-660-100



Egismos

<http://www.egismos.com>

TEL:+1-888-3481454

FAX:+1-604-4339864

E-Mail:sales@eGismos.com