

Egismos *DATASHEET*

650nm Compact Laser Diode Modules Key features

Visible light $\lambda = 660\text{nm}$
 Output powers = 50mW
 Package type = 5.6mm ϕ
 High reliability

Applications

Laser Pointer & General Purpose Red Laser Light Source
 Laser Module & High Precision Engineering Instruments
 Optical Sensor Application of Engineering Instruments



RS-D6-6-660-50

Laser Diode Solutions

RS-D6-6-660-50 is a MOCVD grown 660nm band InGaAs laser diode. It's an attractive light source, with a typical light output power of CW 50mW. It's suitable for use as high reliability laser diode in a wide range of industrial application.

Electrical and Optical Characteristics at $T_c = 25^\circ\text{C}$

Item	Symbols	Min.	Typ.	Max.	Unit	Condition
Optical Output Power	Po	-	52	-	mW	-
Threshold Current	I _{th}	-	40	55	mA	Po=50mW
Operating Current	I _{op}	-	85	120	mA	Po=50mW
Slope Efficiency	SE	0.7	1.0	1.4	mW/mA	Po=45~50mW
Operating Voltage	V _{op}	1.9	2.5	3.0	V	Po=50mW
Peak Wavelength	λ_p	655	658	665	nm	Po=50mW
Beam Divergence	$\Theta_{//}$	5.5	7.5	10	deg	Po=50mW
	Θ_{\perp}	15	17	20	deg	Po=50mW
Beam Angle	$\Delta\Theta_{//}$	-3	-	+3	deg	Po=50mW
	$\Delta\Theta_{\perp}$	-3	-	+3	deg	Po=50mW
Monitor Current	I _m	0.05	0.21	0.5	mA	Po=50mW V _r =5V
Optical Distance	$\Delta X, \Delta Y, \Delta Z$	-80	-	+80	μm	Po=50mW

Egismos

<http://www.egismos.com>
 TEL: +1-888-3481454
 FAX: +1-604-4339864
 E-Mail: sales@egismos.com

Egismos *DATASHEET*

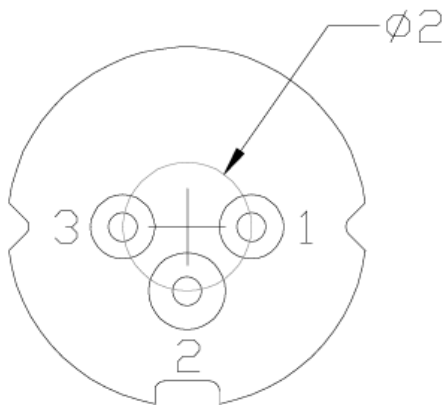
Absolute Maximum Rating at Tc=25°C

Items	Symbols	Values	Unit
Optical Output Power	Po	52	mW
Laser Diode Reverse Voltage(LD)	V	2	V
Photo Diode Reverse Voltage(PD)	V	30	V
Forward Current(PD)	I _{FD}	10	mA
Operating Temperature	To	-10~+60	°C
Storage Temperature	Ts	-40~+85	°C

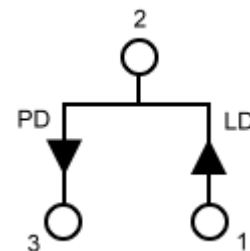


RS-D6-6-660-50

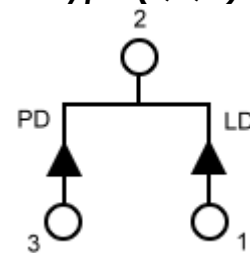
Electrical Connection



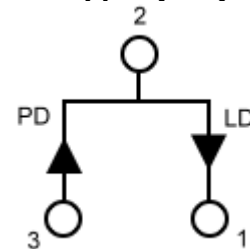
Package Type



P type (P,U,C)



M type (M,R)



N type (N,L,A)

Egismos

<http://www.egismos.com>

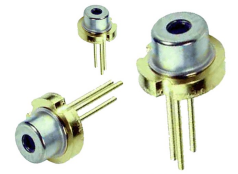
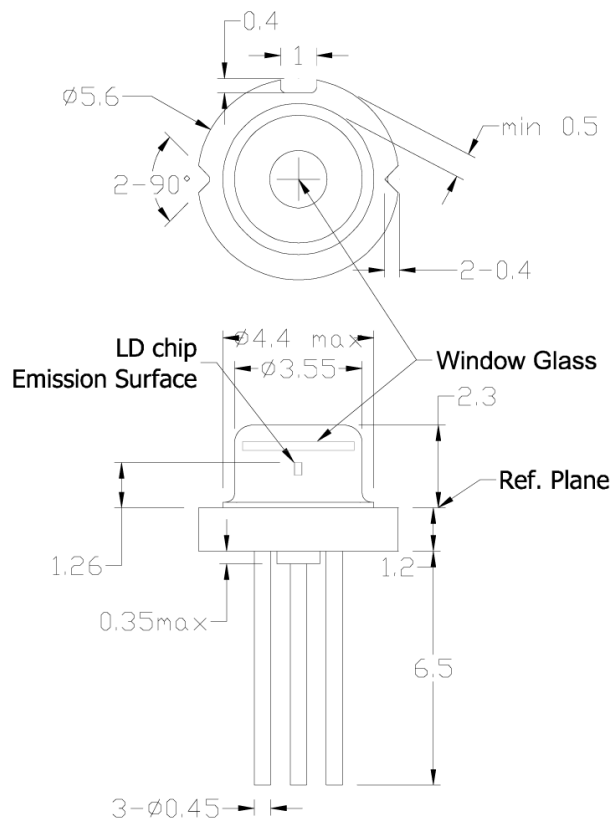
TEL:+1-888-3481454

FAX:+1-604-4339864

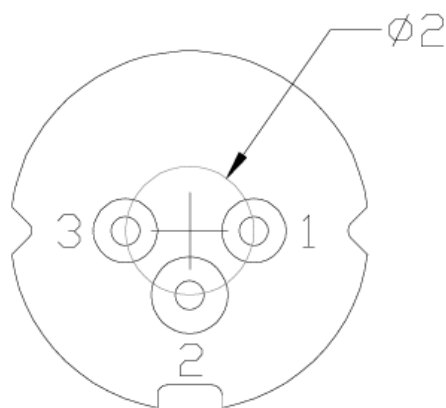
E-Mail:sales@eGismos.com

Egismos *DATASHEET*

Laser Diode Package Drawing



RS-D6-7-660-50



Egismos

<http://www.egismos.com>
TEL: +1-888-3481454
FAX: +1-604-4339864
E-Mail: sales@egismos.com