

# Egismos *DATASHEET*

## 780nm Compact Laser Diode Modules Key features

Visible light  $\lambda = 780\text{nm}$   
 Output powers = 100mW  
 Package type = 5.6mm $\phi$   
 High reliability

### Applications

General Purpose Infrared Red Laser Light Source  
 Printer Scanner Unit & Infrared Red Laser Module for Industry Application  
 Optical Storage & High Precision Engineering Instruments  
 Virgure Keyboard / CD R/RW



RS-D6-7-785-100

### Laser Diode Solutions

RS-D6-7-785-100 is a MOCVD grown 780nm band laser diode. It's an attractive light source, with a typical light output power of CW 100mW. It's suitable for use as high reliability laser diode in a wide range of industrial application.

### Electrical and Optical Characteristics at Tc=25°C

Item	Symbols	Min.	Typ.	Max.	Unit	Condition
Threshold Current	I <sub>th</sub>	25	35	55	mA	Po=1~10mW
Operating Current	I <sub>op</sub>	90	115	160	mA	Po=100mW
Operating Voltage	V <sub>op</sub>	1.5	2	2.2	V	Po=100mW
Peak Wavelength	$\lambda_p$	775	785	795	nm	Po=100mW
Beam Divergence	$\Theta_{//}$	7.5	9	10	deg	Po=100mW
	$\Theta_{\perp}$	15	17	19	deg	Po=100mW
Beam Angle	$\Delta\Theta_{//}$	-2	0	+2	deg	Po=100mW
	$\Delta\Theta_{\perp}$	-2	0	+2	deg	Po=100mW
Monitor Current	I <sub>m</sub>	0.1	0.5	0.7	mA	Po=100mW Vr=5V
Optical Distance	$\Delta X, \Delta Y, \Delta Z$	-80	0	+80	$\mu\text{m}$	Po=100mW

**Egismos**

<http://www.egismos.com>  
 TEL: +1-888-3481454  
 FAX: +1-604-4339864  
 E-Mail: sales@egismos.com

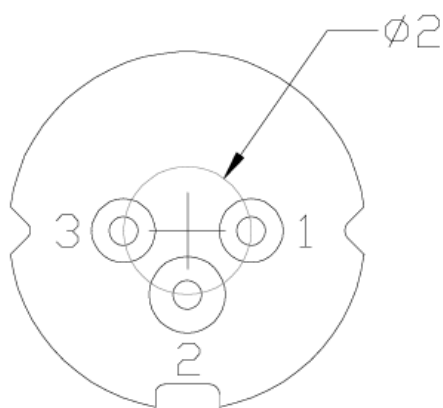
# Egismos *DATASHEET*

## Absolute Maximum Rating at Tc=25°C

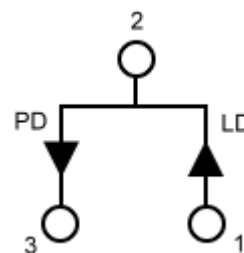
Items	Symbols	Values	Unit
Optical Output Power	Po	100(CW)	mW
	Pop	220(Pulsed*)	mW
Laser Diode Reverse Voltage	V	2	V
Operating Temperature	To	-10~+70	°C
Storage Temperature	Ts	-40~+85	°C

\*Pulse width 0.5us,duty cycle 50%

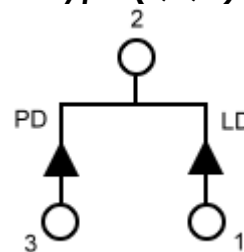
## Electrical Connection



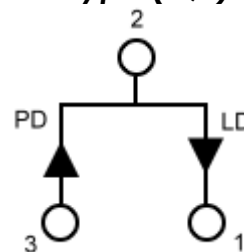
## Package Type



**P type (P,U,C)**



**M type (M,R)**



**N type (N,L,A)**

**Egismos**

<http://www.egismos.com>

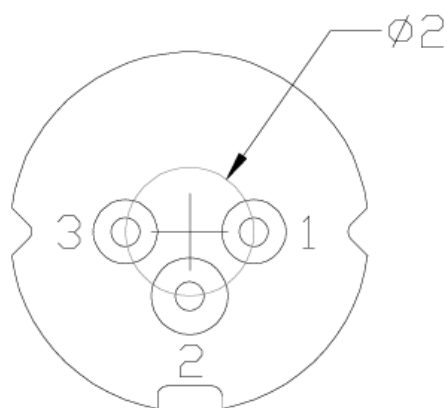
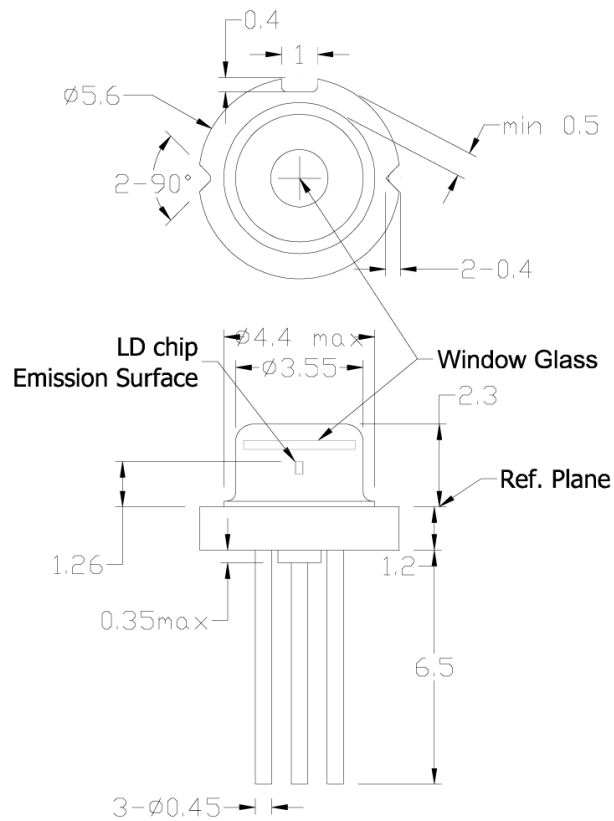
TEL:+1-888-3481454

FAX:+1-604-4339864

E-Mail:sales@eGismos.com

# Egismos *DATASHEET*

## Laser Diode Package Drawing



**Egismos**

<http://www.egismos.com>  
TEL: +1-888-3481454  
FAX: +1-604-4339864  
E-Mail: sales@eGismos.com