

Egismos *DATASHEET*

655m Compact Laser Diode Modules Key features

Visible light $\lambda = 655\text{nm}$
 Output power = 5mW
 Package type = 5.6mm ϕ
 High reliability
Applications

Laser Pointer & General Purpose Red Laser Light Source
 Bar Code Reader & High Precision Measuring Instruments
 Laser Module & High Precision Engineering Instruments

Laser Diode Solutions

RS-D6-5-655-5 is a MOCVD grown 655nm band InGaAlP laser diode. It's an attractive light source, with a typical light output power of 5mW. It's suitable for use as high reliability laser diode in a wide range of industrial application.



RS-D6-5-655-5-L

Electrical and Optical Characteristics at Tc=25°C

Item	Symbols	Min.	Typ.	Max.	Unit	Condition
Threshold Current	I _{th}	-	16	20	mA	
Operating Current	I _{op}	-	19	22	mA	P _o =5mW
Operating Voltage	V _{op}	-	2.2	2.5	V	P _o =5mW
Peak Wavelength	λ_p	645	655	660	nm	P _o =5mW
Differential efficiency	η	0.5	1.0	1.4	MW/mA	P _o =3~5mW
Beam Divergence	$\Theta_{//}$	6	9	12	deg	P _o =5mW
	Θ_{\perp}	24	25	32	deg	P _o =5mW
Beam Angle	$\Delta\Theta_{//}$	-3	0	+3	deg	P _o =5mW
	$\Delta\Theta_{\perp}$	-3	0	+3	deg	P _o =5mW
Monitor Current	I _m	0.05	0.1	0.3	mA	P _o =5mW, V _{RD} =5V
Emission point accuracy	$\Delta X, \Delta Y, \Delta Z$	-80	0	+80	μm	P _o =5mW,

Egismos

<http://www.egismos.com>

TEL:+1-888-3481454

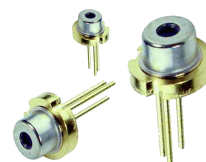
FAX:+1-604-4339864

E-Mail:sales@egismos.com

Egismos *DATASHEET*

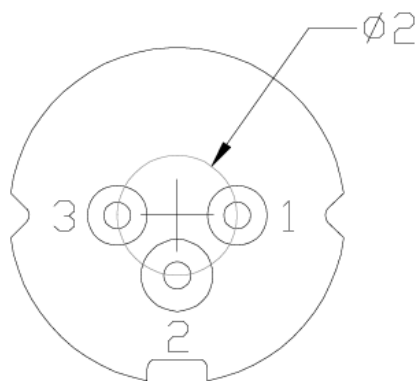
Absolute Maximum Rating at Tc=25°C

Items	Symbols	Values	Unit
Light output power	Po	5	mW
Reverse voltage(LD)	V _{RL}	2	V
Reverse volgate(PD)	V _{RD}	30	V
Forward current(PD)	I _{FD}	10	mA
Case Temperature	Tc	-10~+50	°C
Storage Temperature	Ts	-40~+85	°C

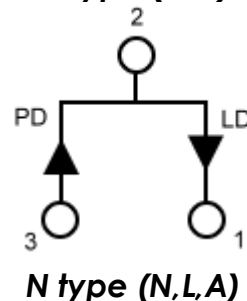
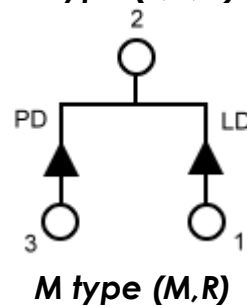
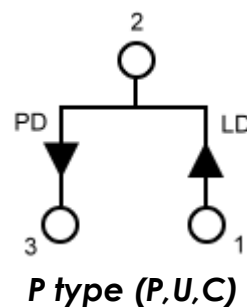


RS-D6-5-655-5-L

Electrical Connection



Package Type



Egismos

<http://www.egismos.com>

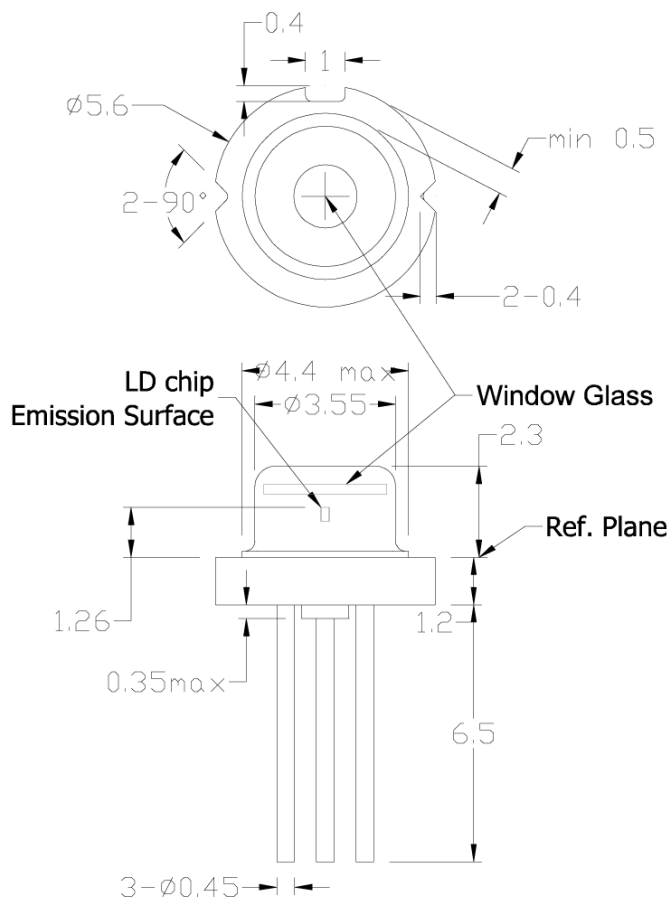
TEL:+1-888-3481454

FAX:+1-604-4339864

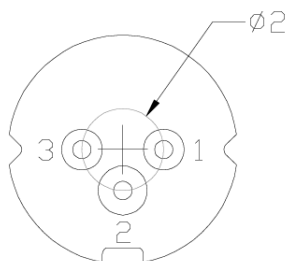
E-Mail:sales@eGismos.com

Egismos *DATASHEET*

Laser Diode Package Drawing



RS-D6-5-655-5-L



Egismos

<http://www.egismos.com>

TEL:+1-888-3481454

FAX:+1-604-4339864

E-Mail:sales@eGismos.com