

Egismos *DATASHEET*

635nm Compact Laser Diode Modules Key features

Visible light $\lambda = 650\text{nm}$
 Output powers = 5mW
 Package type = 5.6mm Φ
 High reliability



SS-D6-7-655-5

Applications

Laser Pointer
 Bar Code Reader
 Laser Module

Laser Diode Solutions

SS-D6-7-655-5-N is a MOCVD grown 655nm band InGaAlP laser diode with quantum well structure. It's an attractive light source, with a typical light output power of 5mW for optoelectronic devices such as Optical Leveler and Modules

Electrical and Optical Characteristics at Tc=25°C

Item	Symbols	Min.	Typ.	Max.	Unit	Condition
Optical Output Power	Po	-	5	-	mW	-
Threshold Current	Ith	-	30	40	mA	-
Operating Current	Iop	-	40	50	mA	Po=5mW
Operating Voltage	Vop	-	2.3	2.6	V	Po=5mW
Lasing Wavelength	λ_p	645	655	660	nm	Po=5mW
Beam Divergence	$\Theta_{//}$	7	8	10	deg	Po=5mW
	Θ_{\perp}	25	29	32	deg	Po=5mW
Beam Angle	$\Delta\Theta_{//}$	-	-	± 1.5	deg	Po=5mW
	$\Delta\Theta_{\perp}$	-	-	± 2.5	deg	Po=5mW
Monitor Current	I _m	0.1	0.2	0.5	mA	Po=5mW
Optical Distance	$\Delta X, \Delta Y, \Delta Z$	-	-	± 60	μm	-

Egismos

<http://www.egismos.com>

TEL: +1-888-3481454

FAX: +1-604-4339864

E-Mail: sales@egismos.com

Egismos *DATASHEET*

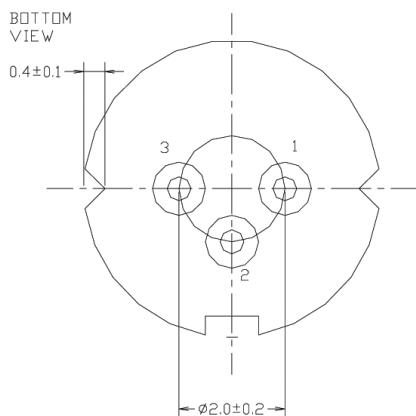
Absolute Maximum Rating at Tc=25°C

Items	Symbols	Values	Unit
Optical Output Power	P	7	mW
Laser Diode Reverse Voltage	V	2	v
Photo Diode Reverse Voltage	V	30	v
Operating Temperature	To	-10~+70	°C
Storage Temperature	Ts	-40~+85	°C

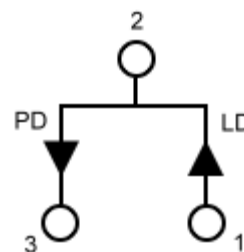


SS-D6-7-655-5

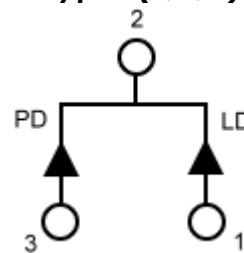
Electrical Connection



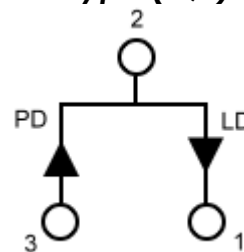
Package Type



P type (P,U,C)



M type (M,R)



N type (N,L,A)

Egismos

<http://www.egismos.com>

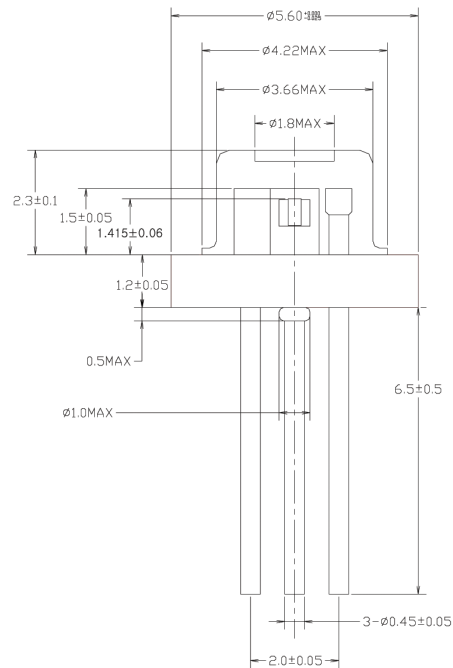
TEL:+1-888-3481454

FAX:+1-604-4339864

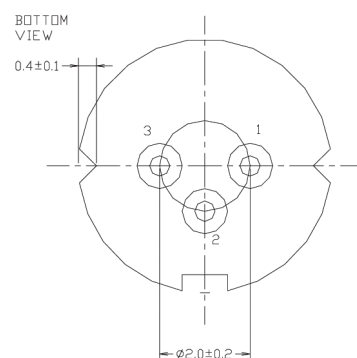
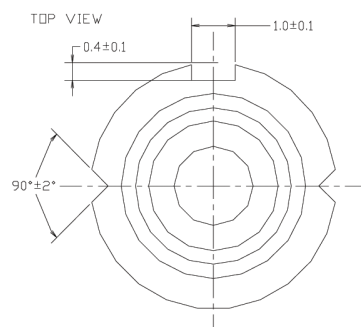
E-Mail:sales@eGismos.com

Egismos *DATASHEET*

Laser Diode Package Drawing



SS-D6-5-635-5



Egismos

<http://www.egismos.com>

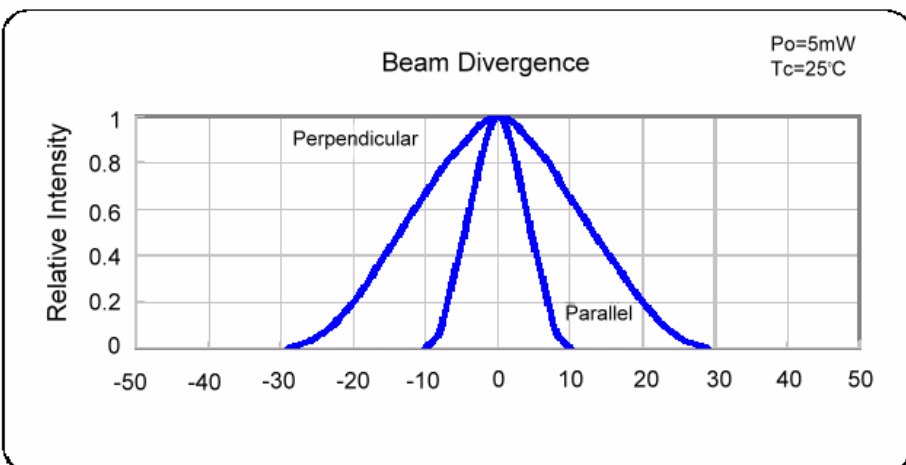
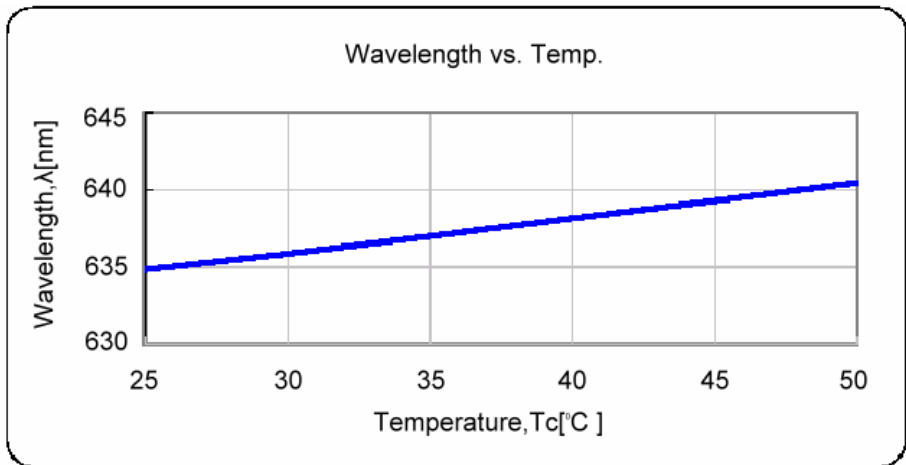
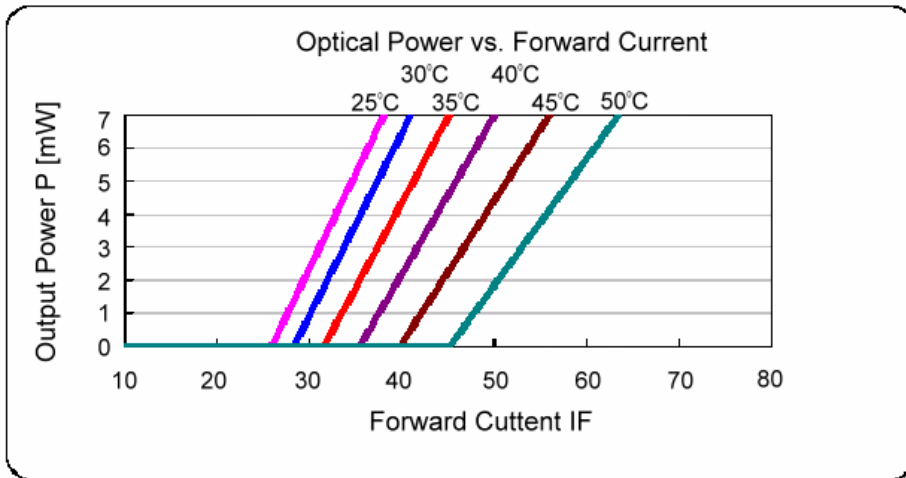
TEL: +1-888-3481454

FAX: +1-604-4339864

E-Mail: sales@egismos.com

EGISMOS *DATASHEET*

Example of Representative Characteristics I



EGISMOS

<http://www.egismos.com>

TEL:+1-888-3481454

FAX:+1-604-4339864

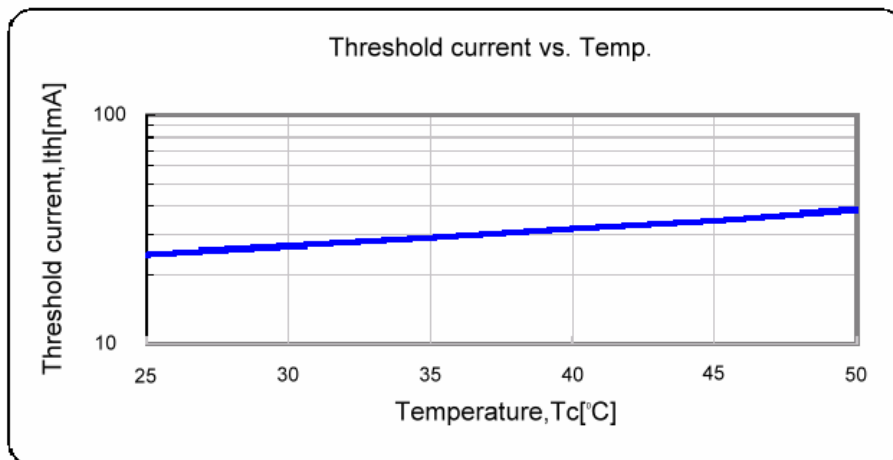
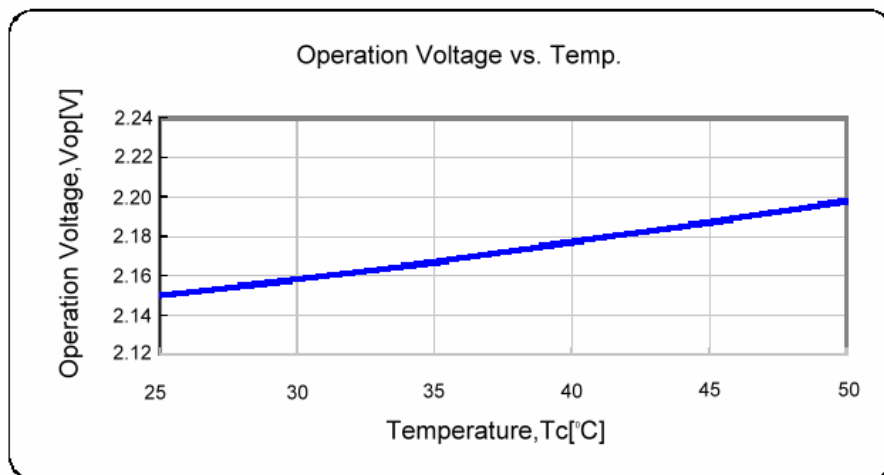
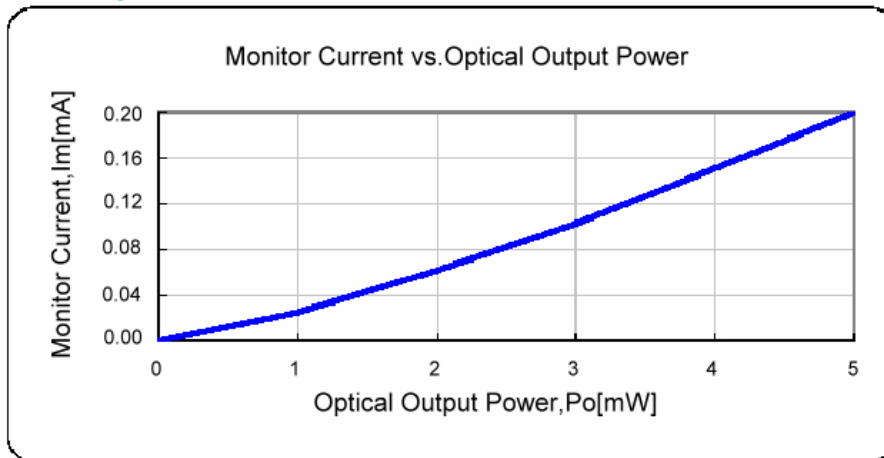
E-Mail:sales@eGismos.com

Egismos *DATASHEET*

Example of Representative Characteristics II



SS-D6-5-635-5



Egismos

<http://www.egismos.com>

TEL: +1-888-3481454

FAX: +1-604-4339864

E-Mail: sales@egismos.com