

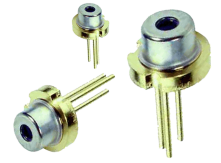
Egismos *DATASHEET*

880m Compact Laser Diode Key features

Visible light $\lambda = 880\text{nm}$
Output power = 10mW
Package type = 5.6mm ϕ
High reliability

Applications

General Purpose Infrared Red Laser Light Source
Optical Communication & Infrared Red Laser Module for Industry Application
Thermal Device & Medical Instruments



US-D6-6-880-10

Laser Diode Solutions

US-D6-6-880-10 is a 880nm band laser diode. It's an attractive light source, with a typical light output power of 10mW. It's suitable for use as high reliability laser diode in a wide range of industrial application.

Electrical and Optical Characteristics at Tc=25°C

Item	Symbols	Min.	Typ.	Max.	Unit	Condition
Threshold Current	I _{th}	-	10	15	mA	-
Operating Current	I _{op}	-	29	35		P _o =10mW
Operating Voltage	V _{op}	-	2.2	2.5	Volt	P _o =10mW
Slope efficiency	η	0.3	0.5	-	mW/mA	7.5mW-2.5mW/ I _{7.5mW} -I _{2.5mW}
Lasing Wavelength	λ_p	870	880	890	nm	P _o =10mW
Beam Divergence	$\Theta_{//}$	8	12	15	deg	P _o =10mW
	Θ_{\perp}	28	32	38	deg	P _o =10mW

Egismos

<http://www.egismos.com>

TEL: +1-888-3481454

FAX: +1-604-4339864

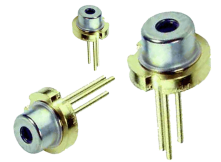
E-Mail: sales@egismos.com

Egismos *DATASHEET*

Absolute Maximum Rating at Tc=25°C

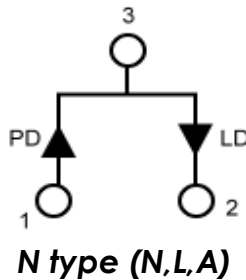
Items	Symbols	Values	Unit
Optical output power	Po	10	mW
Reverse voltage(LD)	V _{RL}	2	V
Reverse Voltage(PD)	Vr	30	V
Operating Temperature	Tc	-10~+60	°C
Storage Temperature	Ts	-10~+85	°C

Note:



US-D6-6-880-10

Package Type

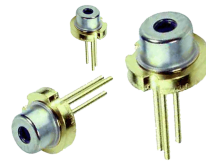


Egismos

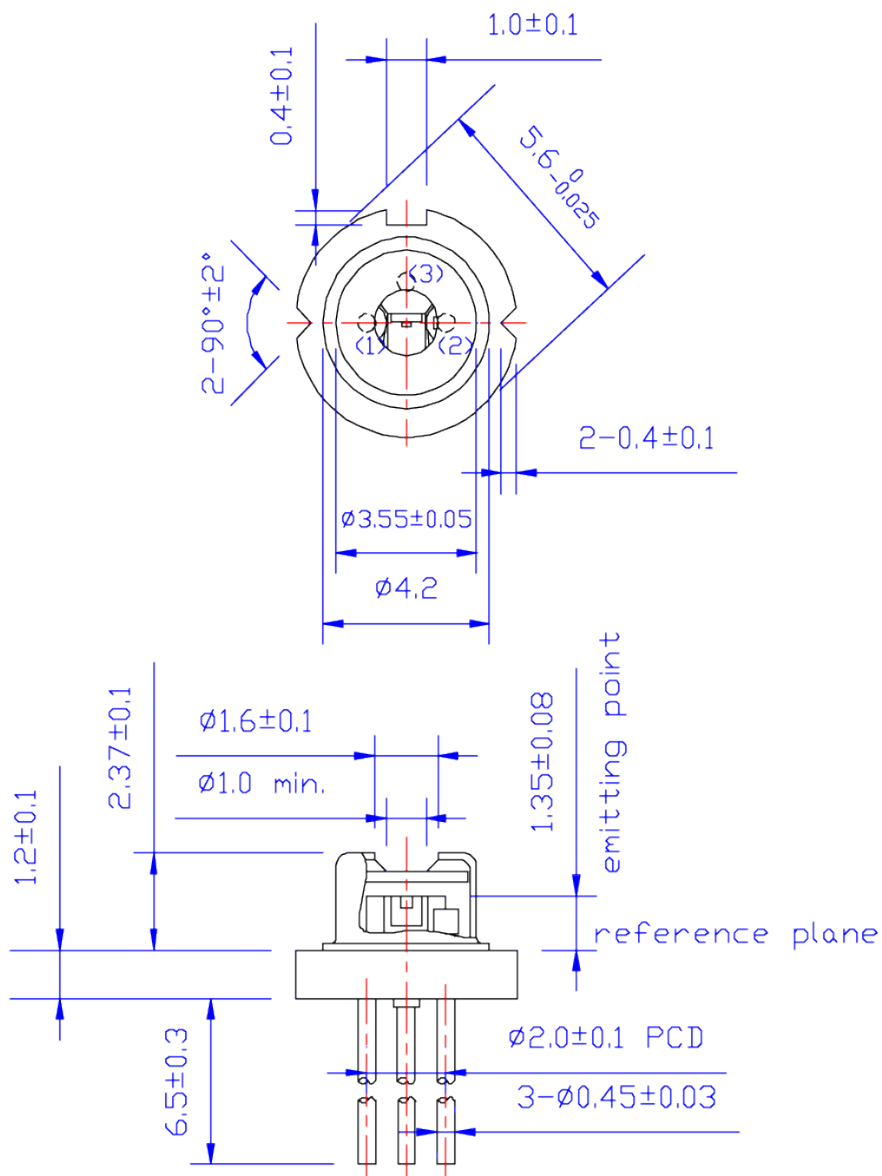
<http://www.egismos.com>
TEL:+1-888-3481454
FAX:+1-604-4339864
E-Mail:sales@eGismos.com

EGISMOS *DATASHEET*

Laser Diode Package Drawing



US-D6-6-880-10



EGISMOS

<http://www.egismos.com>

TEL:+1-888-3481454

FAX:+1-604-4339864

E-Mail:sales@eGismos.com