

Egismos *DATASHEET*

655nm Compact Laser Diode Modules Key features

Visible light $\lambda = 655\text{nm}$
 Output powers =80 mW
 Package type=5.6 mm ϕ
 High reliability

Applications

General Purpose Infrared Red Laser Light Source
 Printer Scanner Unit & Infrared Red Laser Module for Industry Application
 Optical Storage & High Precision Engineering Instruments

Laser Diode Solutions

BS-D6-6-655-80 is a MOCVD grown 655nm band laser diode. It's an attractive light source, with a typical light output power of CW 80 mW . It's suitable for use as high reliability laser diode in a wide range of industrial application.



BS-D6-6-655-80

Electrical and Optical Characteristics at Tc=25°C

Item	Symbols	Min.	Typ.	Max.	Unit	Condition
Optical Output Power	Po	-	85	-	mW	-
Threshold Current	Ith	-	52	65	mA	-
Operating Current	Iop	-	125	135	mA	Po=80mW
Differential Efficiency	η	0.8	1.1	-	mW/mA	3-5mW/ I(10mW)-I(5mW)
Operating Voltage	Vop	-	2.5	3	V	Po=80mW
Peak Wavelength	λ_p	650	655	660	nm	Po=80mW
Beam Divergence	$\Theta_{//}$	8	10	12	deg	Po=80mW
	Θ_{\perp}	15	18	20	deg	Po=80mW
Beam Angle	$\Delta\Theta_{//}$	-	-	± 2.0	deg	Po=80mW
	$\Delta\Theta_{\perp}$	-	-	± 2.0	deg	Po=80mW
Optical Distance	$\Delta X, \Delta Y, \Delta Z$	-	-	± 80	μm	Po=80mW

Egismos

<http://www.egismos.com>
 TEL:+1-888-3481454
 FAX:+1-604-4339864
 E-Mail:sales@eGismos.com

Egismos *DATASHEET*

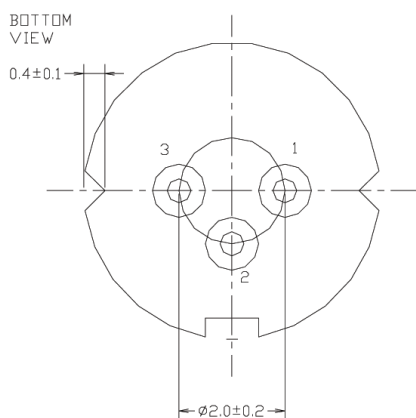
Absolute Maximum Rating at Tc=25°C

Items	Symbols	Values	Unit
Optical Output Power	Po	85	mW
Laser Diode Reverse Voltage	V	2	V
Operating Temperature	To	-10~+60	°C
Storage Temperature	Ts	-40~+80	°C

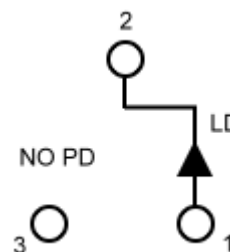


BS-D6-6-655-80

Electrical Connection



Package Type



Egismos

<http://www.egismos.com>

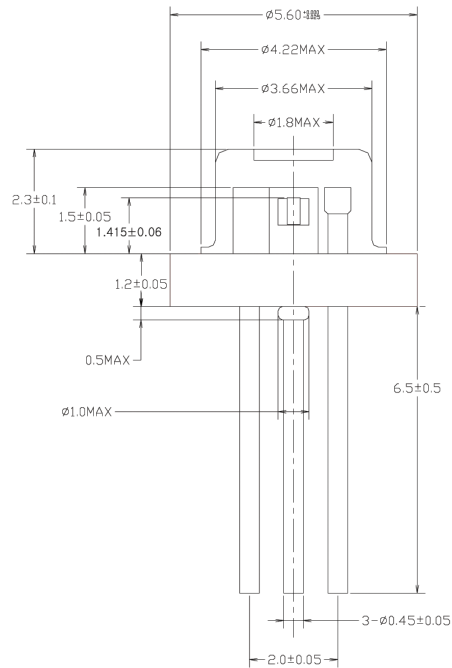
TEL:+1-888-3481454

FAX:+1-604-4339864

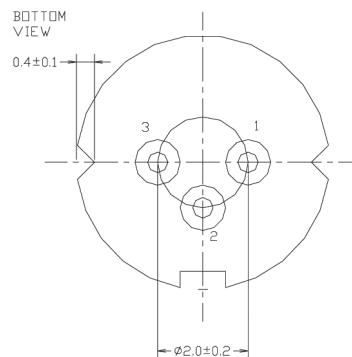
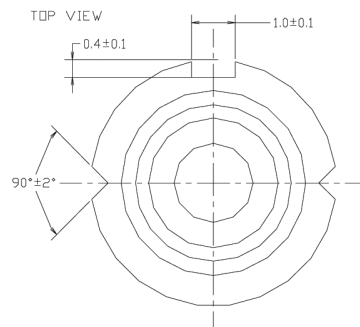
E-Mail:sales@eGismos.com

Egismos *DATASHEET*

Laser Diode Package Drawing



BS-D6-6-655-80



Egismos

<http://www.egismos.com>

TEL: +1-888-3481454

FAX: +1-604-4339864

E-Mail: sales@egismos.com