

Egismos *DATASHEET*

405nm Compact Laser Diode Modules Key features

Visible light $\lambda = 405\text{nm}$
Output powers = 140mW CW
Package type=5.6 mm ϕ
High reliability

Applications

Blu-ray Disc/HD DVD drive
Other new application

Laser Diode Solutions

BS-D6-7-405-140 is a MOCVD grown 405nm band InGaAs laser diode. It's an attractive light source, with a typical light output power of CW 140mW. It's suitable for use as high reliability laser diode in a wide range of industrial application.



BS-D6-7-405-140

Electrical and Optical Characteristics at $T_c=25^\circ\text{C}$

| item | symbols | Min. | Typ. | Max. | Unit | Condition |
|----------------------|------------------|------|------|------|------|-----------|
| Optical Output Power | Po | - | 150 | - | mW | - |
| Threshold Current | Ith | - | 35 | 50 | mA | - |
| Operating Current | Iop | - | 135 | 150 | mA | Po=140mW |
| Operating Voltage | Vop | | 4.8 | 5.5 | V | Po=140mW |
| Peak Wavelength | λ_p | 400 | 406 | 415 | nm | Po=140mW |
| Beam Divergence | $\Theta_{//}$ | 6 | 9 | 14 | deg | Po=140mW |
| | Θ_{\perp} | 16 | 20 | 24 | deg | Po=140mW |
| | | | | | | |

Egismos

<http://www.egismos.com>

TEL:+1-888-3481454

FAX:+1-604-4339864

E-Mail:sales@egismos.com

Egismos *DATASHEET*

Absolute Maximum Rating at Tc=25°C

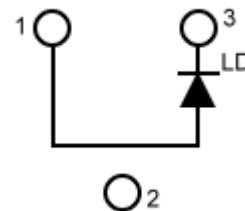
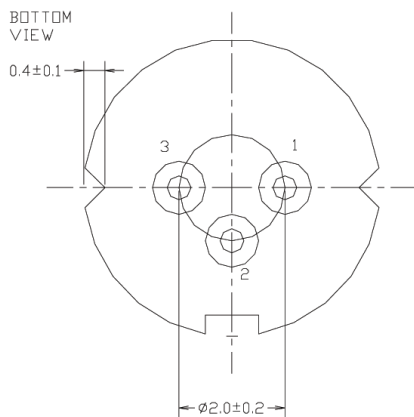
| Items | Symbols | Values | Unit |
|-----------------------------|---------|---------|------|
| Optical Output Power | Po | 140 | mW |
| Laser Diode Reverse Voltage | V | 5 | V |
| Operating Temperature | To | -10~+70 | °C |
| Storage Temperature | Ts | -40~+80 | °C |



BS-D6-7-405-140

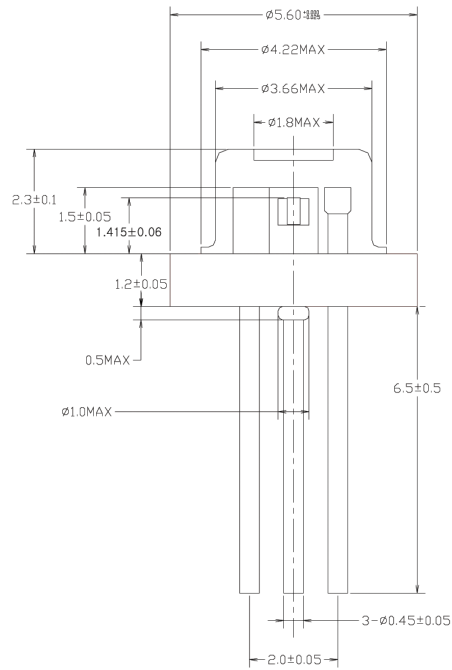
Electrical Connection

Package Type

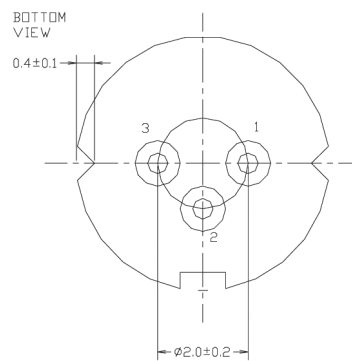
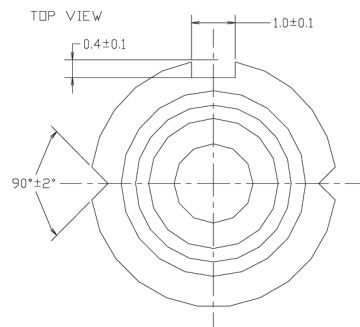


Egismos DATASHEET

Laser Diode Package Drawing



BS-D6-7-405-140



Egismos

<http://www.egismos.com>

TEL: +1-888-3481454

FAX: +1-604-4339864

E-Mail: sales@egismos.com