

Egismos *DATASHEET*

405nm Compact Laser Diode Modules Key features

Visible light $\lambda = 405\text{nm}$
Output powers = 35mW CW
Package type=5.6 mm ϕ
High reliability

Applications

Blu-ray Disc/HD DVD drive
Other new application

Laser Diode Solutions

BS-D6-7-405-35 is a MOCVD grown 405nm band InGaAs laser diode. It's an attractive light source, with a typical light output power of CW 35mW. It's suitable for use as high reliability laser diode in a wide range of industrial application..



BS-D6-7-405-35

Electrical and Optical Characteristics at $T_c=25^\circ\text{C}$

item	symbols	Min.	Typ.	Max.	Unit	Condition
Optical Output Power	Po	-	35	-	mW	-
Threshold Current	Ith	-	38	55	mA	-
Operating Current	Iop	-	75	100	mA	Po=35mW
Operating Voltage	Vop		4.8	6	V	Po=35mW
Peak Wavelength	λ_p	395	405	415	nm	Po=35mW
Beam Divergence	$\Theta_{//}$	6	9	14	deg	Po=35mW
	Θ_{\perp}	16	20	24	deg	Po=35mW
Monitor Current	Im	0.1	0.2	1	mA	Po=35mW

Egismos

<http://www.egismos.com>

TEL:+1-888-3481454

FAX:+1-604-4339864

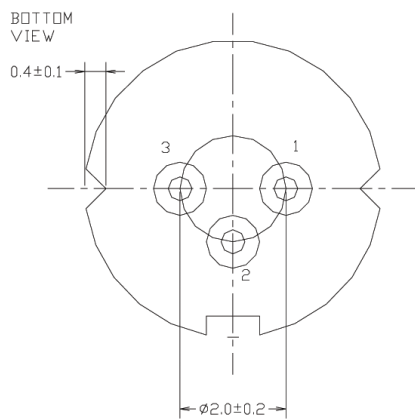
E-Mail:sales@egismos.com

Egismos *DATASHEET*

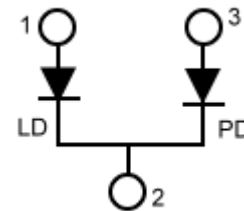
Absolute Maximum Rating at Tc=25°C

Items	Symbols	Values	Unit
Optical Output Power	Po	35	mW
Laser Diode Reverse Voltage	V	5	V
Photo Diode Reverse Voltage	V	30	V
Operating Temperature	To	-10~+70	°C
Storage Temperature	Ts	-40~+80	°C

Electrical Connection



Package Type



Egismos

<http://www.egismos.com>

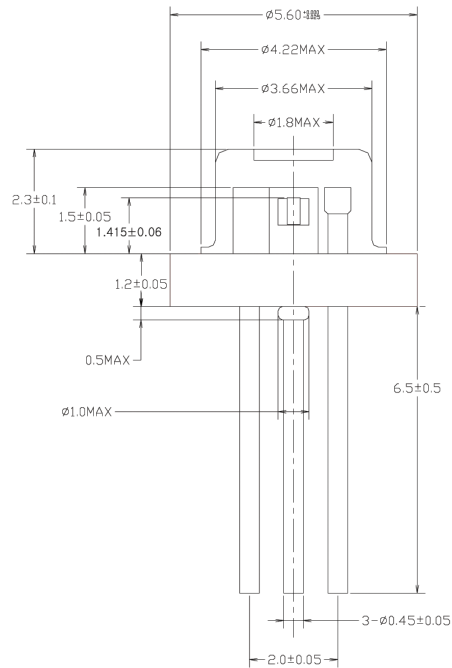
TEL:+1-888-3481454

FAX:+1-604-4339864

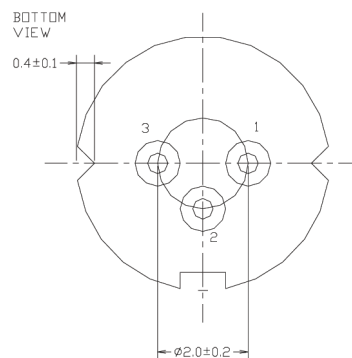
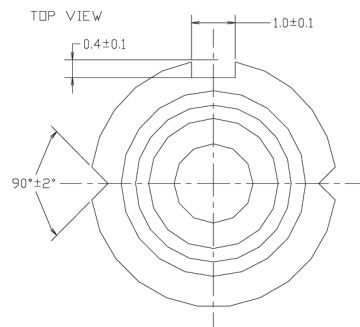
E-Mail:sales@eGismos.com

Egismos DATASHEET

Laser Diode Package Drawing



BS-D6-7-405-35



Egismos

<http://www.egismos.com>

TEL: +1-888-3481454

FAX: +1-604-4339864

E-Mail: sales@egismos.com