

# Egismos *DATASHEET*

## 405nm Compact Laser Diode Modules Key features

Visible light  $\lambda = 405\text{nm}$   
Output powers = 65mW CW  
Package type=5.6 mm  $\phi$   
High reliability

### Applications

Blu-ray Disc/HD DVD drive  
Other new application

### Laser Diode Solutions

BS-D6-7-405-65 is a MOCVD grown 405nm band InGaAs laser diode. It's an attractive light source, with a typical light output power of CW 65mW. It's suitable for use as high reliability laser diode in a wide range of industrial application..



BS-D6-7-405-65

## Electrical and Optical Characteristics at $T_c=25^\circ\text{C}$

item	symbols	Min.	Typ.	Max.	Unit	Condition
Optical Output Power	Po	-	65	-	mW	-
Threshold Current	Ith	-	35	50	mA	-
Operating Current	Iop	-	80	95	mA	Po=60mW
Operating Voltage	Vop		4.8	5.5	V	Po=60mW
Peak Wavelength	$\lambda_p$	400	406	415	nm	Po=60mW
Beam Divergence	$\Theta_{//}$	6	9	14	deg	Po=60mW
	$\Theta_{\perp}$	16	20	24	deg	Po=60mW

**Egismos**

<http://www.egismos.com>

TEL:+1-888-3481454

FAX:+1-604-4339864

E-Mail:sales@egismos.com

# EGISMOS *DATASHEET*

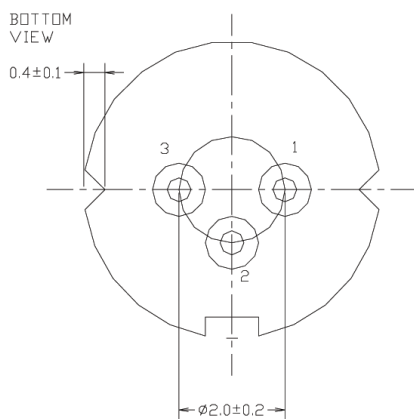
## Absolute Maximum Rating at Tc=25°C

Items	Symbols	Values	Unit
Optical Output Power	Po	65	mW
Laser Diode Reverse Voltage	V	5	V
Photo Diode Reverse Voltage	V	30	V
Operating Temperature	To	-10~+70	°C
Storage Temperature	Ts	-40~+80	°C

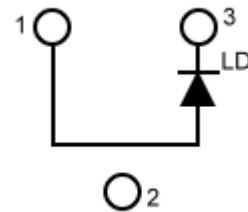


BS-D6-7-405-65

## Electrical Connection



## Package Type

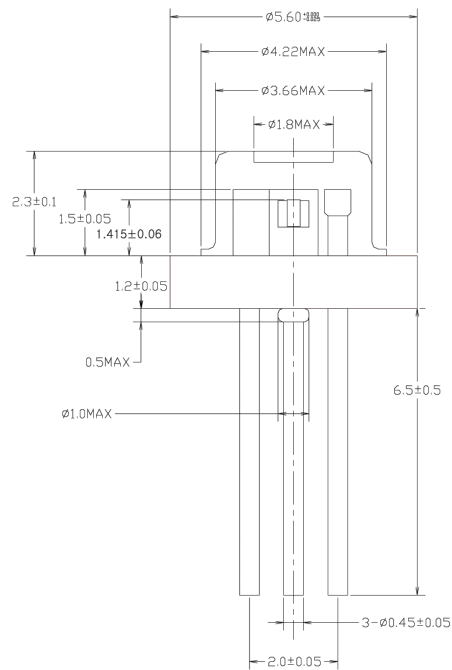


**EGISMOS**

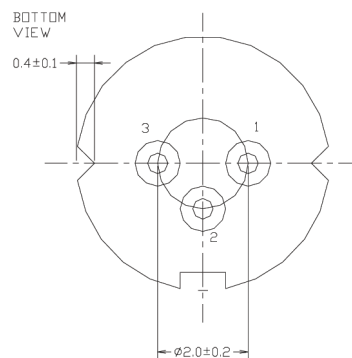
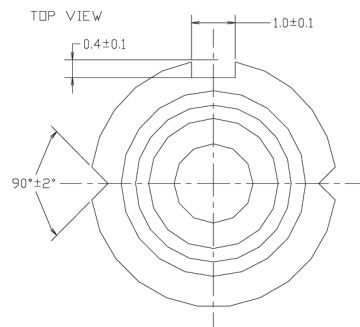
<http://www.egismos.com>  
TEL:+1-888-3481454  
FAX:+1-604-4339864  
E-Mail:sales@eGismos.com

# Egismos DATASHEET

## Laser Diode Package Drawing



BS-D6-7-405-65



**Egismos**

<http://www.egismos.com>

TEL: +1-888-3481454

FAX: +1-604-4339864

E-Mail: [sales@egismos.com](mailto:sales@egismos.com)