

Egismos *DATASHEET*

405nm Compact Laser Diode Modules Key features

Visible light $\lambda = 405\text{nm}$
Output powers = 80mW CW
Package type=5.6 mm ϕ
High reliability

Applications

Blu-ray Disc/HD DVD drive
Other new application

Laser Diode Solutions

BS-D6-7-405-80 is a MOCVD grown 405nm band InGaAs laser diode. It's an attractive light source, with a typical light output power of CW 80mW. It's suitable for use as high reliability laser diode in a wide range of industrial application.



BS-D6-7-405-80

Electrical and Optical Characteristics at $T_c=25^\circ\text{C}$

item	symbols	Min.	Typ.	Max.	Unit	Condition
Optical Output Power	Po	-	85	-	mW	-
Threshold Current	Ith	-	35	50	mA	-
Operating Current	Iop	-	100	110	mA	Po=80mW
Operating Voltage	Vop		4.8	5.5	V	Po=80mW
Peak Wavelength	λ_p	400	406	415	nm	Po=80mW
Beam Divergence	$\Theta_{//}$	6	9	14	deg	Po=80mW
	Θ_{\perp}	16	20	24	deg	Po=80mW

Egismos

<http://www.egismos.com>

TEL:+1-888-3481454

FAX:+1-604-4339864

E-Mail:sales@egismos.com

EGISMOS *DATASHEET*

Absolute Maximum Rating at Tc=25°C

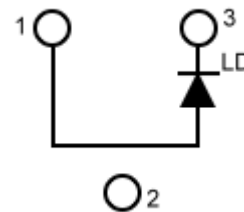
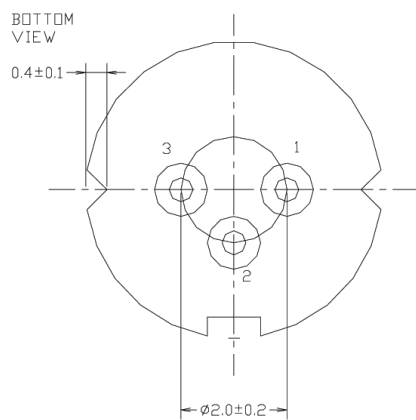
Items	Symbols	Values	Unit
Optical Output Power	Po	85	mW
Laser Diode Reverse Voltage	V	5	V
Operating Temperature	To	-10~+70	°C
Storage Temperature	Ts	-40~+80	°C



BS-D6-7-405-80

Electrical Connection

Package Type

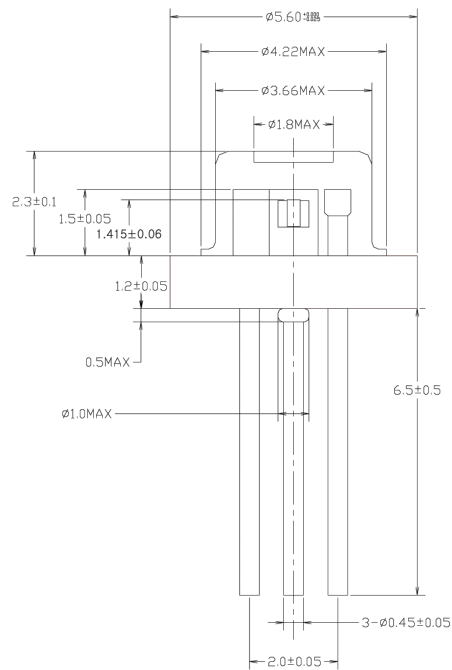


EGISMOS

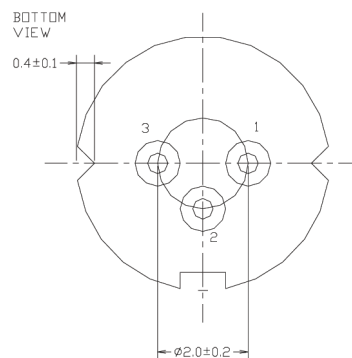
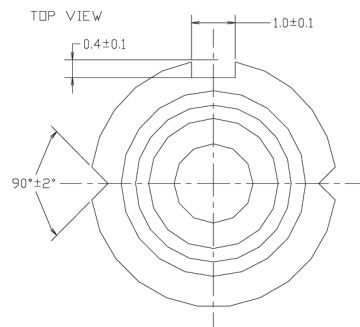
<http://www.egismos.com>
TEL:+1-888-3481454
FAX:+1-604-4339864
E-Mail:sales@eGismos.com

Egismos DATASHEET

Laser Diode Package Drawing



BS-D6-7-405-80



Egismos

<http://www.egismos.com>

TEL: +1-888-3481454

FAX: +1-604-4339864

E-Mail: sales@egismos.com