

# Egismos *DATASHEET*

## 660nm Compact Laser Diode Modules Key features

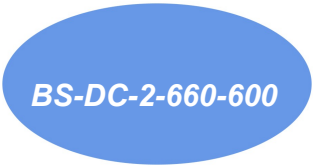
Visible light  $\lambda = 660\text{nm}$   
 Output powers =600mW  
 Package type= C mount  
 High reliability

### Applications

General Purpose Infrared Red Laser Light Source  
 Printer Scanner Unit & Infrared Red Laser Module for Industry Application  
 Optical Storage & High Precision Engineering Instruments

### Laser Diode Solutions

BS-DC-2-660-600 is a MOCVD grown 660nm band laser diode. It's an attractive light source, with a typical light output power of CW 600mW . It's suitable for use as high reliability laser diode in a wide range of industrial application.



## Electrical and Optical Characteristics at Tc=25°C

Item	Symbols	Min.	Typ.	Max.	Unit	Condition
Optical Output Power	Po	-	600	-	mW	-
Threshold Current	Ith	600	800	1000	mA	-
Operating Current	Iop	1200	1400	1600	mA	Po=600mW
Differential Efficiency	$\eta$	-	1	1.2	mW/mA	3-5mW/ I(10mW)-I(5mW)
Operating Voltage	Vop	2.1	2.2	2.5	V	Po=600mW
Peak Wavelength	$\lambda p$	655	660	665	nm	Po=600mW
Beam Divergence	$\Theta_{//}$	6	8	10	deg	Po=600mW
	$\Theta_{\perp}$	30	34	38	deg	Po=600mW

**Egismos**

<http://www.egismos.com>  
 TEL:+1-888-3481454  
 FAX:+1-604-4339864  
 E-Mail:sales@eGismos.com

# Egismos *DATASHEET*

## Absolute Maximum Rating at Tc=25°C

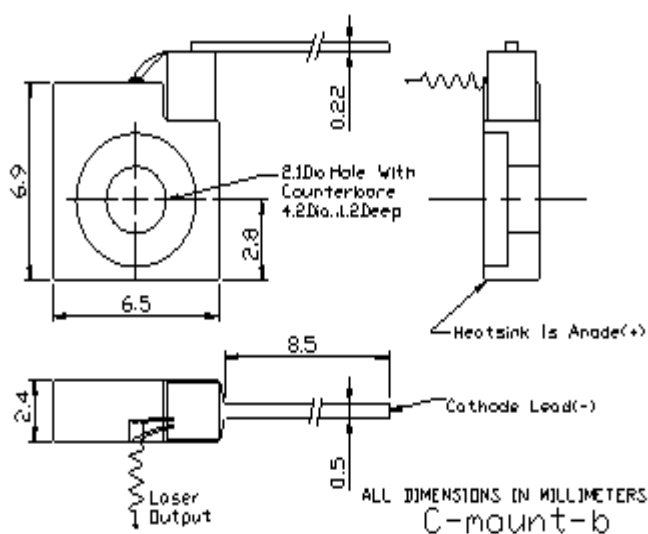
Items	Symbols	Values	Unit
Optical Output Power	Po	85	mW
Laser Diode Reverse Voltage	V	2	V
Operating Temperature	To	-10~+60	°C
Storage Temperature	Ts	-40~+80	°C



BS-DC-2-660-600

## Electrical Connection

## Package Type



**Egismos**

<http://www.egismos.com>

TEL:+1-888-3481454

FAX:+1-604-4339864

E-Mail:sales@eGismos.com