

Egismos *DATASHEET*

675nm Compact Laser Diode Modules Key features

Visible light $\lambda = 675 \text{ nm}$
Output powers =600 mW
Package type= C mount
High reliability

Applications

General Purpose Infrared Red Laser Light Source
Printer Scanner Unit & Infrared Red Laser Module for Industry Application
Optical Storage & High Precision Engineering Instruments

Laser Diode Solutions

BS-DC-2-675-600 is a MOCVD grown 675nm band laser diode. It's an attractive light source, with a typical light output power of CW 600mW . It's suitable for use as high reliability laser diode in a wide range of industrial application.



BS-DC-2-675-600

Electrical and Optical Characteristics at $T_c=25^\circ\text{C}$

Item	Symbols	Min.	Typ.	Max.	Unit	Condition
Optical Output Power	Po	-	600	-	mW	-
Threshold Current	Ith	600	800	1000	mA	-
Operating Current	Iop	1200	1400	1600	mA	Po=600mW
Differential Efficiency	η	-	1	1.2	mW/mA	3-5mW/ I(10mW)-I(5mW)
Operating Voltage	Vop	2.1	2.2	2.5	V	Po=600mW
Peak Wavelength	λ_p	670	675	680	nm	Po=600mW
Beam Divergence	$\Theta_{//}$	6	8	10	deg	Po=600mW
	Θ_{\perp}	30	34	38	deg	Po=600mW

Egismos

<http://www.egismos.com>
TEL:+1-888-3481454
FAX:+1-604-4339864
E-Mail:sales@eGismos.com

Egismos *DATASHEET*

Absolute Maximum Rating at $T_c=25^{\circ}\text{C}$

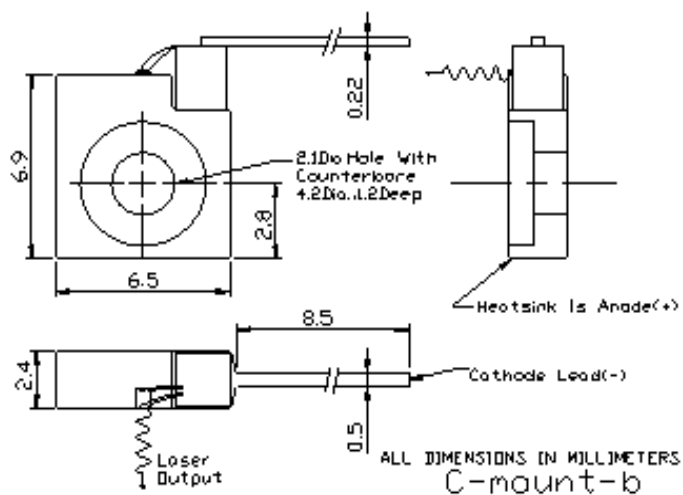
Items	Symbols	Values	Unit
Optical Output Power	Po	600	mW
Laser Diode Reverse Voltage	V	2.3	V
Operating Temperature	To	-20~+20	$^{\circ}\text{C}$
Storage Temperature	Ts	-20~+85	$^{\circ}\text{C}$



BS-DC-2-675-600

Electrical Connection

Package Type



Egismos

<http://www.egismos.com>
 TEL:+1-888-3481454
 FAX:+1-604-4339864
 E-Mail:sales@eGismos.com