

Egismos *DATASHEET*

808nm Compact Laser Diode Modules Key features

Visible light $\lambda = 808\text{nm}$
Output powers = 2W CW
Package type= C-mount
High reliability

Applications

General Purpose Infrared Red Laser Light Source
Pumping Source for DPSS green laser



BS-DC-3-808-2000

Laser Diode Solutions

BS-DC-3-808-2000 is a MOCVD grown 808nm band laser diode. It's an attractive light source, with a typical light output power of 2W. It's suitable for use as high reliability laser diode in a wide range of industrial application.

Electrical and Optical Characteristics at $T_c=25^\circ\text{C}$

item	symbols	Min.	Typ.	Max.	Unit	Condition
Optical Output Power	Po	-	2	-	W	-
Threshold Current	Ith	-	0.5	0.6	A	-
Operating Current	Iop	-	2.2	2.3	A	Po=2W
Operating Voltage	Vop	-	1.9	2.3	V	Po=2W
Peak Wavelength	λ_p	803	808	815	nm	Po=2W
Beam Divergence	$\Theta_{//}$	8	10	12	deg	Po=2W
	Θ_{\perp}	32	36	38	deg	Po=2W

Egismos

<http://www.egismos.com>

TEL:+1-888-3481454

FAX:+1-604-4339864

E-Mail:sales@eGismos.com

Egismos *DATASHEET*

Absolute Maximum Rating at $T_c=25^{\circ}\text{C}$

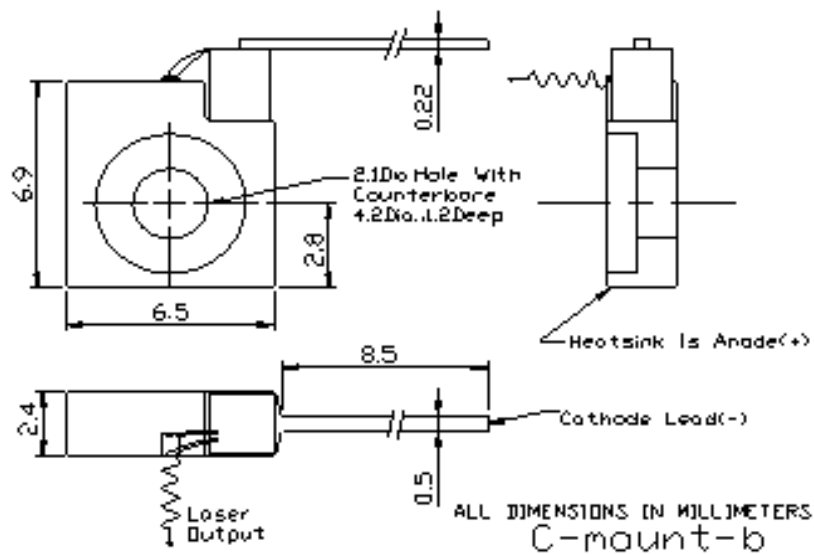
Items	Symbols	Values	Unit
Optical Output Power	Po	2	W
Reverse Voltage	Vr	2	V
Operating Temperature	To	-10~+30	$^{\circ}\text{C}$
Storage Temperature	Ts	-20~+85	$^{\circ}\text{C}$



BS-DC-3-808-2000

Electrical Connection

Package Type



Egismos

<http://www.egismos.com>
 TEL:+1-888-3481454
 FAX:+1-604-4339864
 E-Mail:sales@eGismos.com