

# Egismos *DATASHEET*

## 980nm Compact Laser Diode Modules Key features

Visible light  $\lambda = 980\text{nm}$   
Output powers = 1000mW  
Package type = C mount  
High reliability

### Applications

General Purpose Infrared Red Laser Light Source  
High Precision Engineering Instruments



BS-DC-3-980-1000

### Laser Diode Solutions

BS-DC-3-980-1000 is a MOCVD grown 980nm band laser diode. It's an attractive light source, with a typical light output power of CW 1000mW. It's suitable for use as high reliability laser diode in a wide range of industrial application.

### Electrical and Optical Characteristics at $T_c=25^\circ\text{C}$

Item	Symbols	Min.	Typ.	Max.	Unit	Condition
Optical Output Power	Po	-	1000	-	mW	-
Threshold Current	I <sub>th</sub>	-	200	300	mA	-
Operating Current	I <sub>op</sub>	-	1200	1300	mA	Po=1W
Differential Efficiency	$\eta$	-	1	-	mW/mA	3-5mW/ I(10mW)-I(5mW)
Operating Voltage	V <sub>op</sub>	-	1.9	2.3	V	Po=1W
Peak Wavelength	$\lambda_p$	975	980	985	nm	Po=1W
Beam Divergence	$\Theta_{//}$	8	10	12	deg	Po=1W
	$\Theta_{\perp}$	32	36	38	deg	Po=1W

**Egismos**

<http://www.egismos.com>  
TEL:+1-888-3481454  
FAX:+1-604-4339864  
E-Mail:sales@eGismos.com

# Egismos *DATASHEET*

## Absolute Maximum Rating at Tc=25°C

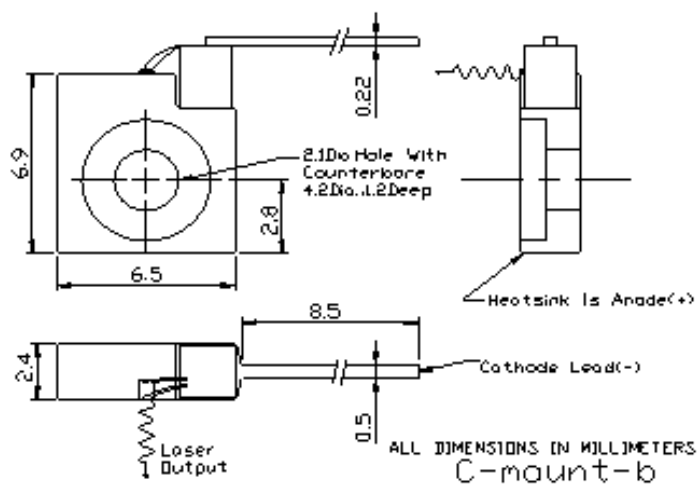
Items	Symbols	Values	Unit
Optical Output Power	Po	1000	mW
Laser Diode Reverse Voltage	V	2	V
Operating Temperature	To	-10~30	°C
Storage Temperature	Ts	-20~+85	°C



BS-DC-3-980-1000

## Electrical Connection

## Package Type



**Egismos**

<http://www.egismos.com>

TEL:+1-888-3481454

FAX:+1-604-4339864

E-Mail:sales@eGismos.com