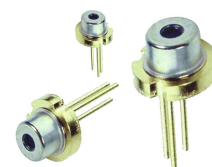


# Egismos *DATASHEET*

## 450nm Compact Laser Diode Modules Key features

Visible light  $\lambda = 405\text{nm}$   
 Output powers =180mW  
 Package type=5.6mm $\Phi$



ES-D6-3-405-180

## Applications

Blu-ray Disc/HD DVD drive  
 Other new application

## Laser Diode Solutions

ES-D6-3-405-180 is a 405nm band laser diode. It's an attractive light source, with a typical light output power of CW 180mW. It's suitable for use as high reliability laser diode in a wide range of industrial application.

## Electrical and Optical Characteristics at Tc=25°C

Item	Symbols	Min.	Typ.	Max.	Unit	Condition
Optical Output Power	Po	-	-	180	mW	-
Threshold Current	Ith	-	100	130	mA	-
Operating Current	Iop	-	230	270	mA	po=180mW
Slope Efficiency	SE	1	1.5	2	mW/mA	-
Operating Voltage	Vop	-	4.1	4.6	V	po=180mW
Peak Wavelength	$\lambda_p$	400	405	410	nm	-
Beam Divergence	$\Theta_{//}$	8	16	26	deg	po=180mW
	$\Theta_{\perp}$	35	42	55	deg	po=180mW
Beam Deviation angle	$\Delta\Theta_{//}$	-5	-	5	deg	po=180mW
	$\Delta\Theta_{\perp}$	-5	-	5	deg	po=180mW

**Egismos**

<http://www.egismos.com>

TEL:+1-888-3481454

FAX:+1-604-4339864

E-Mail:sales@egismos.com

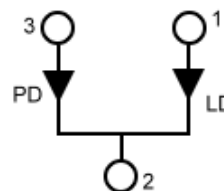
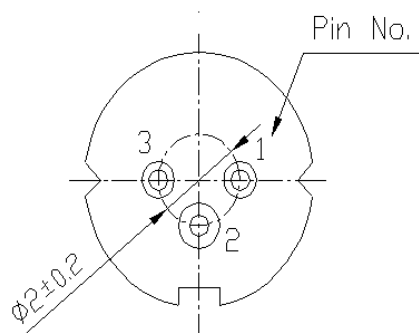
# Egismos *DATASHEET*

## Absolute Maximum Rating at $T_c=25^{\circ}\text{C}$

Items	Symbols	Values	Unit
Optical Output Power	$P_o$	250	mW
Laser Diode Reverse Voltage	$V_r(\text{LD})$	5	V
PD Reverse Voltage	$V_r(\text{PD})$	20	V
Operating Temperature	$T_o$	0~+30	$^{\circ}\text{C}$
Storage Temperature	$T_s$	-35~+85	$^{\circ}\text{C}$

## Electrical Connection

## Package Type



**Egismos**

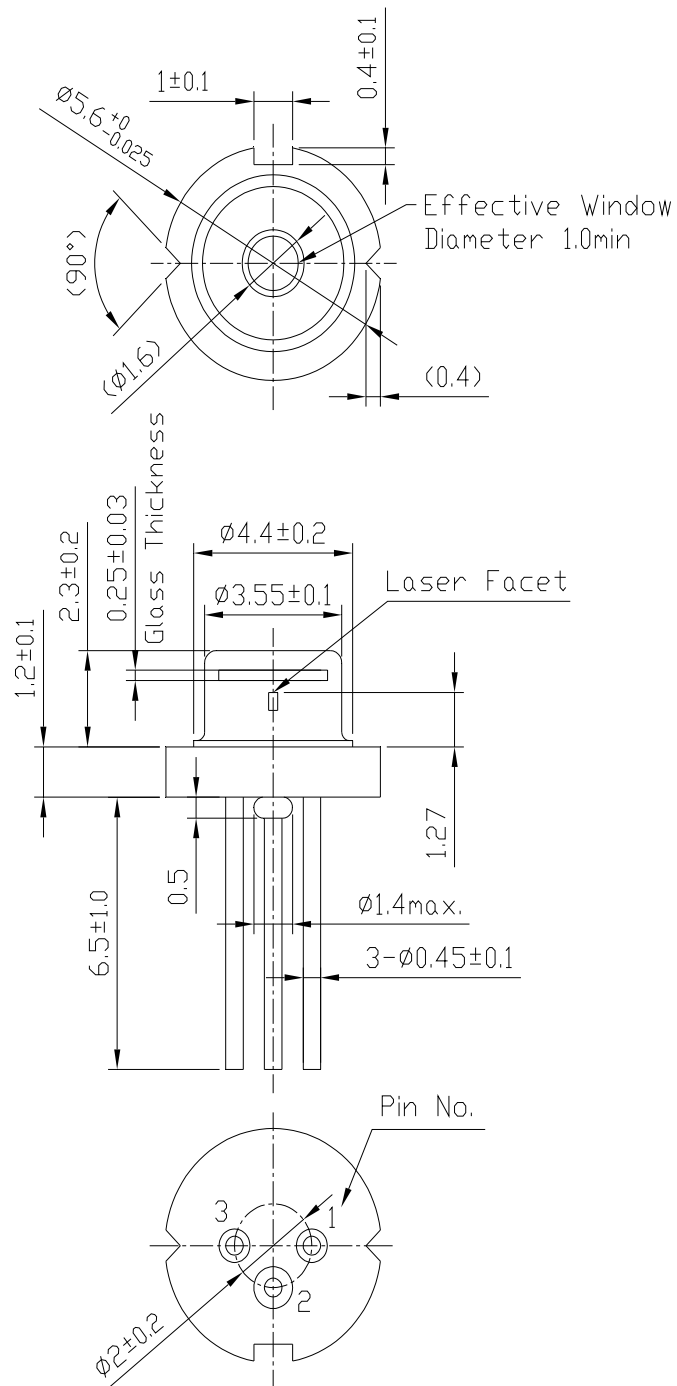
<http://www.egismos.com>

TEL:+1-888-3481454

FAX:+1-604-4339864

E-Mail:sales@eGismos.com

# Egismos *DATASHEET*



**Egismos**

<http://www.egismos.com>

TEL:+1-888-3481454

FAX:+1-604-4339864

E-Mail:sales@eGismos.com