

# Egismos *DATASHEET*

635nm Compact Laser Diode Modules Key features

Visible light  $\lambda = 635\text{nm}$

Output powers = 5mW CW

Package type=5.6mm  $\Phi$

High reliability

Applications

Laser Pointer & General Purpose Red Laser Light Source

Laser Module & High Precision Engineering Instruments

Optical Sensor Application of Engineering Instruments

Laser Diode Solutions

PS-D6- 5- 635- 5 is a MOCVD grown 635nm band InGaAs laser diode. It's an attractive light source, with a typical light output power of CW 5mW . It's suitable for use as high reliability laser diode in a wide range of industrial application..



PS-D6-5-635-5

## Electrical and Optical Characteristics at $T_c=25^\circ\text{C}$

Item	Symbols	Min.	Typ.	Max.	Unit	Condition
Optical Output Power	Po	-	7	-	mW	-
Threshold Current	Ith	-	20	27	mA	-
Operating Current	Iop	-	27	36	mA	Po=5mW
Operating Voltage	Vop	-	2.2	2.4	V	Po=5mW
Peak Wavelength	$\lambda_p$	630	635	640	nm	Po=5mW
Beam Divergence	$\Theta_{//}$	6	8	10	deg	Po=5mW
	$\Theta_{\perp}$	20	25	30	deg	Po=5mW
Monitor Current	Im	0.15	0.4	0.6	mA	Po=5mW

**Egismos**

<http://www.egismos.com>

TEL:+1-888-3481454

FAX:+1-604-4339864

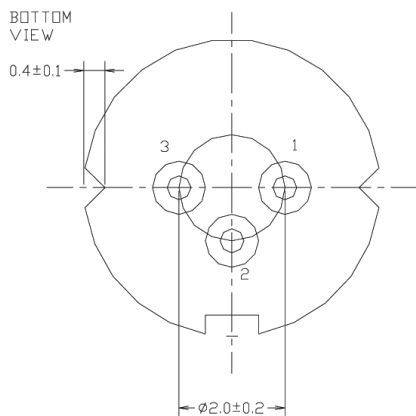
E-Mail:sales@eGismos.com

# EGISMOS *DATASHEET*

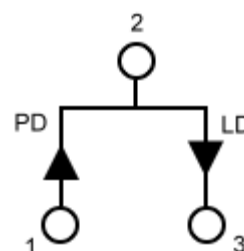
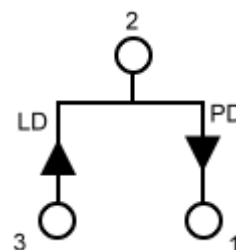
## Absolute Maximum Rating at Tc=25°C

Items	Symbols	Values	Unit
Optical Output Power	Po	7	mW
Laser Diode Reverse Voltage	V	2	V
Photo Diode Reverse Voltage	V	30	V
Operating Temperature	To	-10~+50	°C
Storage Temperature	Ts	-40~+85	°C

## Electrical Connection



## Package Type



**EGISMOS**

<http://www.egismos.com>

TEL:+1-888-3481454

FAX:+1-604-4339864

E-Mail:sales@eGismos.com

