

Egismos *DATASHEET*

639nm Compact Laser Diode Modules Key features

Visible light $\lambda = 639\text{nm}$
Output powers = 10mW CW
Package type= 5.6 mm ϕ
High reliability

Applications

Laser Pointer & General Purpose Red Laser Light Source
Laser Module & High Precision Engineering Instruments
Optical Sensor Application of Engineering Instruments

Laser Diode Solutions

PS-D6-5-639-10 is a MOCVD grown 639nm band InGaAs laser diode. It's an attractive light source, with a typical light output power of CW 5mW. It's suitable for use as high reliability laser diode in a wide range of industrial application.



PS-D6-5-639-10

Electrical and Optical Characteristics at $T_c=25^\circ\text{C}$

Item	Symbols	Min.	Typ.	Max.	Unit	Condition
Optical Output Power	Po	-	12	-	mW	-
Threshold Current	I _{th}	-	20	27	mA	-
Operating Current	I _{op}	-	27	36	mA	Po=10mW
Operating Voltage	V _{op}	-	2.3	2.5	V	Po=10mW
Peak Wavelength	λ_p	630	639	643	nm	Po=10mW
Beam Divergence	$\Theta_{//}$	6	8	11	deg	Po=10mW
	Θ_{\perp}	16	21	24	deg	Po=10mW
Monitor Current	I _m	0.5	1	2	mA	Po=10mW

Egismos

<http://www.egismos.com>

TEL:+1-888-3481454

FAX:+1-604-4339864

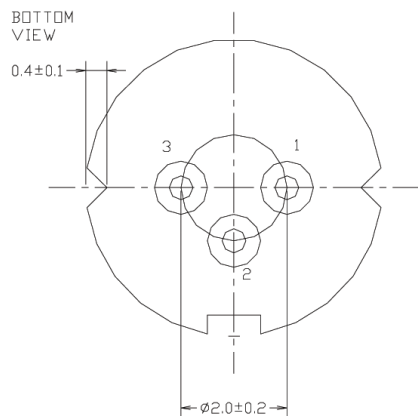
E-Mail:sales@eGismos.com

EGISMOS *DATASHEET*

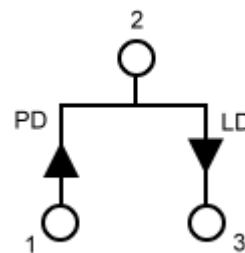
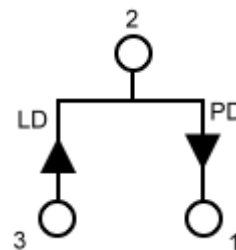
Absolute Maximum Rating at Tc=25°C

Items	Symbols	Values	Unit
Optical Output Power	Po	12	mW
Laser Diode Reverse Voltage	V	2	V
Photo Diode Reverse Voltage	V	30	V
Operating Temperature	To	-10~+50	°C
Storage Temperature	Ts	-40~+85	°C

Electrical Connection



Package Type



EGISMOS

<http://www.egismos.com>

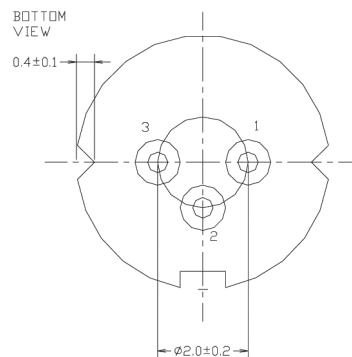
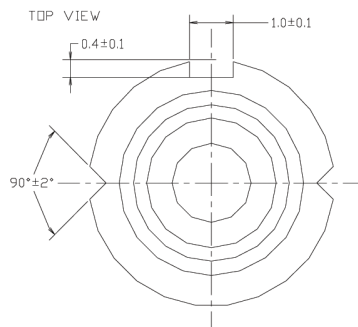
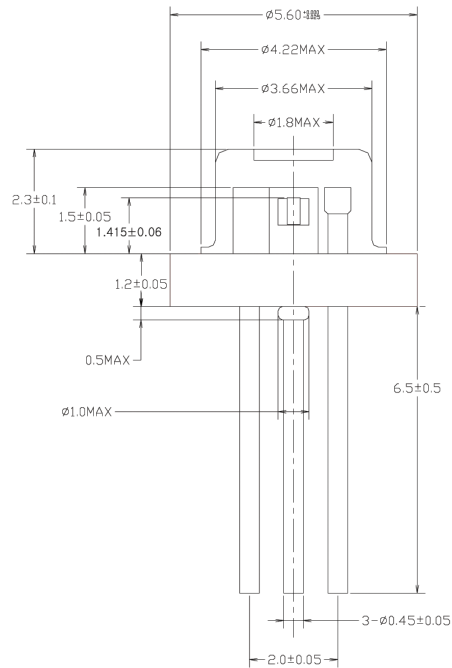
TEL:+1-888-3481454

FAX:+1-604-4339864

E-Mail:sales@eGismos.com

Egismos *DATASHEET*

Laser Diode Package Drawing



Egismos

<http://www.egismos.com>

TEL: +1-888-3481454

FAX: +1-604-4339864

E-Mail: sales@egismos.com