

Egismos DATASHEET

639nm Compact Laser Diode Modules Key features

Visible light $\lambda = 639\text{nm}$
Output powers = 20mW CW
Package type=5.6 mm ϕ
High reliability

Applications

Laser Pointer & General Purpose Red Laser Light Source
Laser Module & High Precision Engineering Instruments
Optical Sensor Application of Engineering Instruments

Laser Diode Solutions

PS-D6-5-639-20 is a MOCVD grown 639nm band InGaAs laser diode. It's an attractive light source, with a typical light output power of CW 20W. It's suitable for use as high reliability laser diode in a wide range of industrial application.



PS-D6-5-639-20

Electrical and Optical Characteristics at $T_c=25^\circ\text{C}$

Item	Symbols	Min.	Typ.	Max.	Unit	Condition
Optical Output Power	Po	-	25	-	mW	-
Threshold Current	I _{th}		45	60	mA	-
Operating Current	I _{op}	-	65	80	mA	Po=20mW
Operating Voltage	V _{op}		2.3	2.5	V	Po=20mW
Peak Wavelength	λ_p	630	639	643	nm	Po=20mW
Beam Divergence	$\Theta_{//}$	6	9	12	deg	Po=20mW
	Θ_{\perp}	16	21	24	deg	Po=20mW
Monitor Current	I _m	0.1	0.2	0.4	mA	Po=20mW

Egismos

<http://www.egismos.com>

TEL:+1-888-3481454

FAX:+1-604-4339864

E-Mail:sales@egismos.com

EGISMOS *DATASHEET*

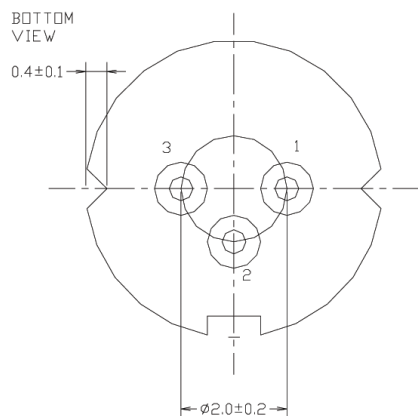
Absolute Maximum Rating at Tc=25°C

Items	Symbols	Values	Unit
Optical Output Power	Po	25	mW
Laser Diode Reverse Voltage	V	2	V
Photo Diode Reverse Voltage	V	30	V
Operating Temperature	To	-10~+50	°C
Storage Temperature	Ts	-40~+85	°C

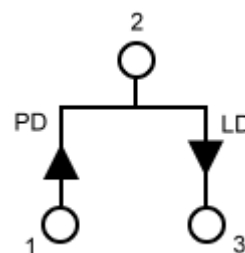
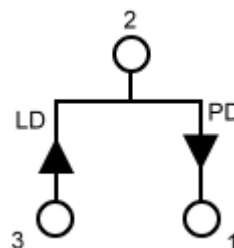


PS-D6-5-639-20

Electrical Connection



Package Type



EGISMOS

<http://www.egismos.com>

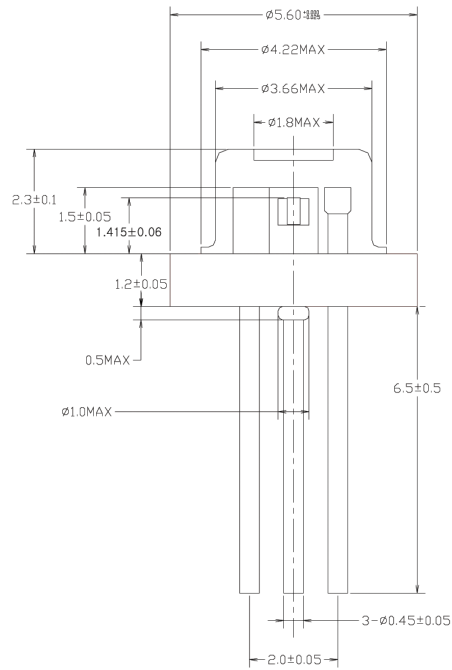
TEL:+1-888-3481454

FAX:+1-604-4339864

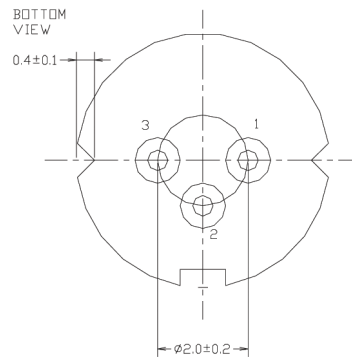
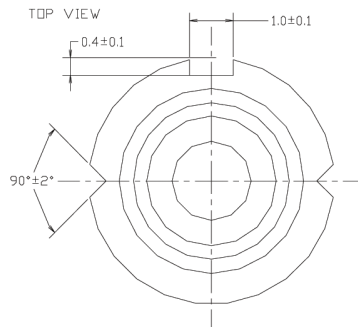
E-Mail:sales@eGismos.com

Egismos *DATASHEET*

Laser Diode Package Drawing



PS-D6-5-639-20



Egismos

<http://www.egismos.com>

TEL: +1-888-3481454

FAX: +1-604-4339864

E-Mail: sales@egismos.com