

Egismos *DATASHEET*

639nm Compact Laser Diode Modules Key features

Visible light $\lambda = 639\text{nm}$
Output powers = 35mW CW
Package type=5.6 mm ϕ
High reliability

Applications

Laser Pointer & General Purpose Red Laser Light Source
Laser Module & High Precision Engineering Instruments
Optical Sensor Application of Engineering Instruments

Laser Diode Solutions

PS-D6-5-639-35 is a MOCVD grown 639nm band InGaAs laser diode. It's an attractive light source, with a typical light output power of CW 35mW. It's suitable for use as high reliability laser diode in a wide range of industrial application.



PS-D6-5-639-35

Electrical and Optical Characteristics at $T_c=25^\circ\text{C}$

item	symbols	Min.	Typ.	Max.	Unit	Condition
Optical Output Power	Po	-	35	-	mW	-
Threshold Current	Ith	30	45	65	mA	-
Operating Current	Iop	-	95	130	mA	Po=30mW
Operating Voltage	Vop		2.3	2.8	V	Po=30mW
Peak Wavelength	λ_p	635	639	642	nm	Po=30mW
Beam Divergence	$\Theta_{//}$	7	8.5	11	deg	Po=30mW
	Θ_{\perp}	26	30	34	deg	Po=30mW
Monitor Current	Im	0.05	0.15	0.25	mA	Po=30mW

Egismos

<http://www.egismos.com>

TEL:+1-888-3481454

FAX:+1-604-4339864

E-Mail:sales@eGismos.com

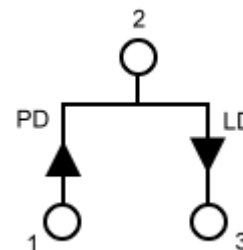
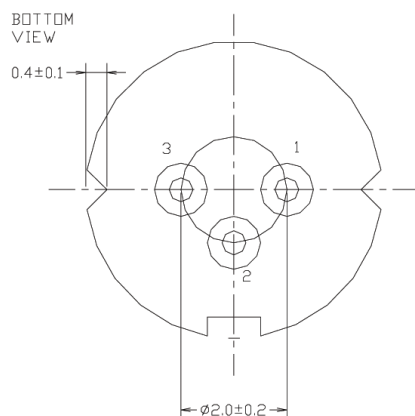
Egismos *DATASHEET*

Absolute Maximum Rating at Tc=25°C

Items	Symbols	Values	Unit
Optical Output Power	Po	35	mW
Laser Diode Reverse Voltage	V	2	V
Photo Diode Reverse Voltage	V	30	V
Operating Temperature	To	-10~+50	°C
Storage Temperature	Ts	-40~+85	°C

Electrical Connection

Package Type

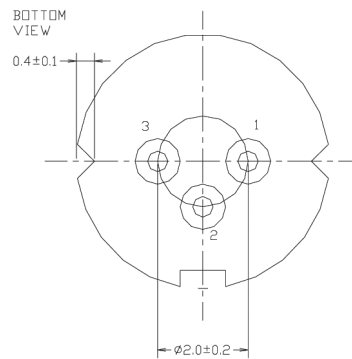
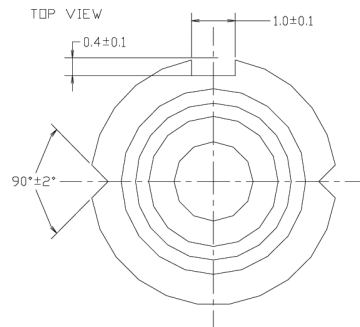
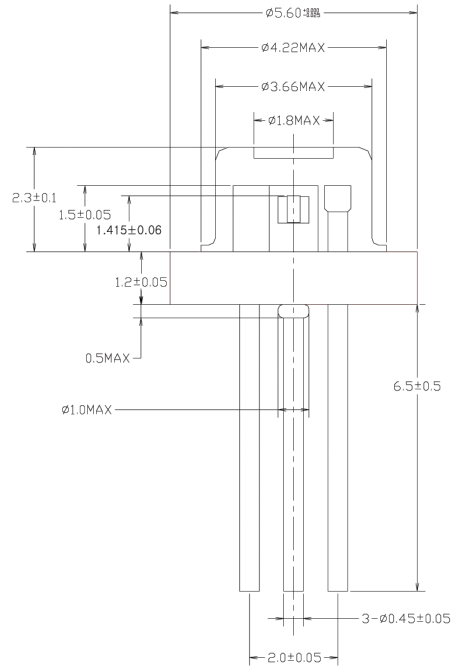


Egismos

<http://www.egismos.com>
TEL:+1-888-3481454
FAX:+1-604-4339864
E-Mail:sales@eGismos.com

EGISMOS *DATASHEET*

Laser Diode Package Drawing



EGISMOS

<http://www.egismos.com>

TEL: +1-888-3481454

FAX: +1-604-4339864

E-Mail: sales@egismos.com