

Egismos DATASHEET

640nm Compact Laser Diode Modules Key features

Visible light $\lambda = 640\text{nm}$
Output powers = 40mW CW
Package type=5.6 mm ϕ
High reliability

Applications

Laser Pointer & General Purpose Red Laser Light Source
Laser Module & High Precision Engineering Instruments
Optical Sensor Application of Engineering Instruments

Laser Diode Solutions

PS-D6-5-640-40 is a MOCVD grown 640nm band InGaAs laser diode. It's an attractive light source, with a typical light output power of CW 40mW. It's suitable for use as high reliability laser diode in a wide range of industrial application.



PS-D6-5-640-40

Electrical and Optical Characteristics at $T_c=25^\circ\text{C}$

Item	Symbols	Min.	Typ.	Max.	Unit	Condition
Optical Output Power	Po	-	45	-	mW	-
Threshold Current	I _{th}		45	60	mA	-
Operating Current	I _{op}	-	90	110	mA	Po=40mW
Operating Voltage	V _{op}		2.4	2.6	V	Po=40mW
Peak Wavelength	λ_p	-	640	643	nm	Po=40mW
Beam Divergence	$\Theta_{//}$	7	10	13	deg	Po=40mW
	Θ_{\perp}	16	21	24	deg	Po=40mW
Monitor Current	I _m	0.15	0.3	0.6	mA	Po=40mW

Egismos

<http://www.egismos.com>

TEL:+1-888-3481454

FAX:+1-604-4339864

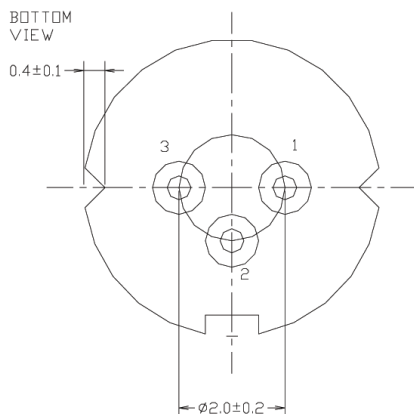
E-Mail:sales@egismos.com

Egismos *DATASHEET*

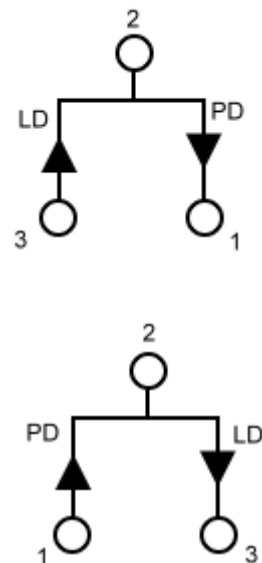
Absolute Maximum Rating at Tc=25°C

Items	Symbols	Values	Unit
Optical Output Power	Po	45	mW
Laser Diode Reverse Voltage	V	2	V
Photo Diode Reverse Voltage	V	30	V
Operating Temperature	To	-10~+50	°C
Storage Temperature	Ts	-40~+85	°C

Electrical Connection



Package Type



Egismos

<http://www.egismos.com>

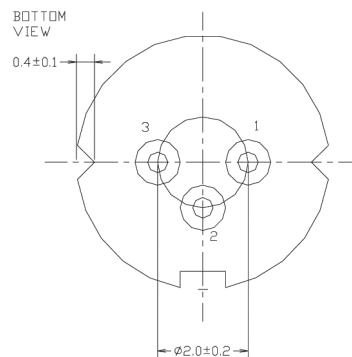
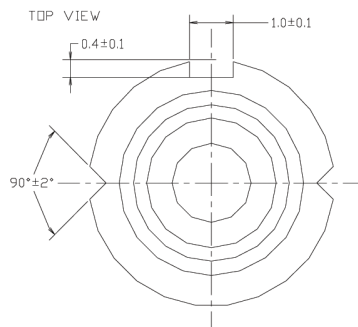
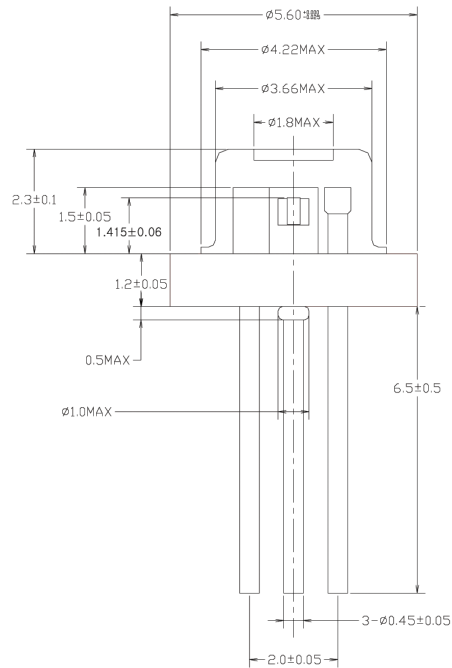
TEL:+1-888-3481454

FAX:+1-604-4339864

E-Mail:sales@eGismos.com

Egismos *DATASHEET*

Laser Diode Package Drawing



Egismos

<http://www.egismos.com>

TEL: +1-888-3481454

FAX: +1-604-4339864

E-Mail: sales@egismos.com