

# Egismos *DATASHEET*

## 642nm Compact Laser Diode Modules Key features

Visible light  $\lambda = 642\text{nm}$   
Output powers = 150mW CW  
Package type=5.6 mm $\phi$   
High reliability

### Applications

Laser Pointer & General Purpose Red Laser Light Source  
Laser Module & High Precision Engineering Instruments  
Optical Sensor Application of Engineering Instruments

### Laser Diode Solutions

PS-D6-5-642-150 is a MOCVD grown 642nm band InGaAs laser diode. It's an attractive light source, with a typical light output power of CW 150mW. It's suitable for use as high reliability laser diode in a wide range of industrial application.



PS-D6-5-642-150

## Electrical and Optical Characteristics at Tc=25°C

item	symbols	Min.	Typ.	Max.	Unit	Condition
Optical Output Power	Po	-	150	-	mW	-
Threshold Current	Ith	-	110	140	mA	-
Operating Current	Iop	-	280	350	mA	Po=150mW
Operating Voltage	Vop		2.6	3	V	Po=150mW
Peak Wavelength	$\lambda_p$	635	642	647	nm	Po=150mW
Beam Divergence	$\Theta_{//}$	6	9	13	deg	Po=150mW
	$\Theta_{\perp}$	13	17	22	deg	Po=150mW

**Egismos**

<http://www.egismos.com>

TEL:+1-888-3481454

FAX:+1-604-4339864

E-Mail:sales@eGismos.com

# EGISMOS *DATASHEET*

## Absolute Maximum Rating at Tc=25°C

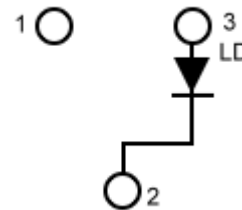
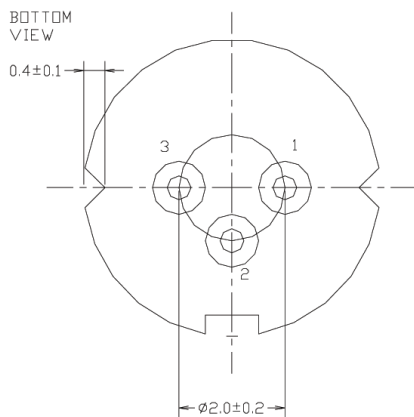
Items	Symbols	Values	Unit
Optical Output Power	Po	150	mW
Laser Diode Reverse Voltage	V	2	V
Operating Temperature	To	-10~+40	°C
Storage Temperature	Ts	-40~+85	°C



PS-D6-5-642-150

## Electrical Connection

## Package Type

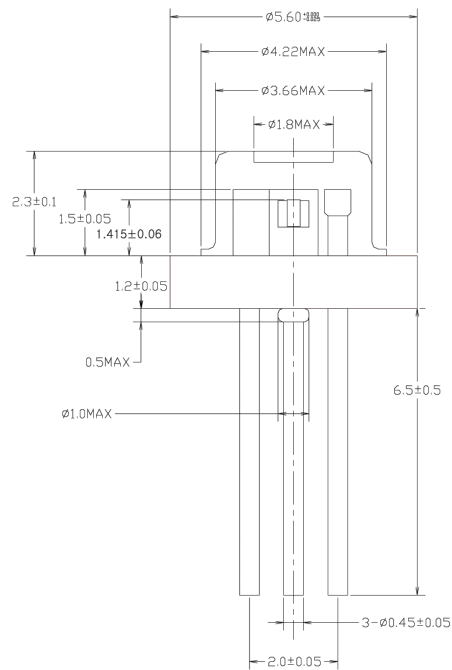


**EGISMOS**

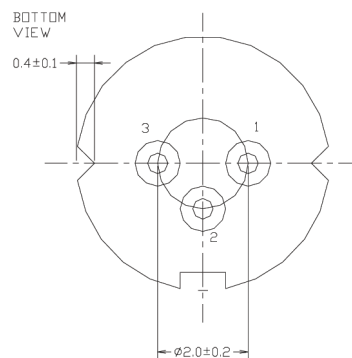
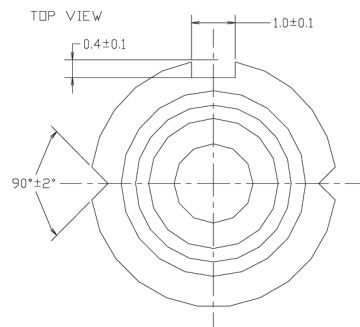
<http://www.egismos.com>  
TEL:+1-888-3481454  
FAX:+1-604-4339864  
E-Mail:sales@eGismos.com

# Egismos DATASHEET

## Laser Diode Package Drawing



PS-D6-5-642-150



**Egismos**

<http://www.egismos.com>

TEL: +1-888-3481454

FAX: +1-604-4339864

E-Mail: [sales@egismos.com](mailto:sales@egismos.com)