

Egismos *DATASHEET*

642nm Compact Laser Diode Modules Key features

Visible light $\lambda = 642\text{nm}$

Output powers = 80mW CW

Package type=5.6mm Φ

High reliability

Applications

Laser Pointer & General Purpose Red Laser Light Source

Laser Module & High Precision Engineering Instruments

Optical Sensor Application of Engineering Instruments

Laser Diode Solutions

PS-D6-5-635-80 is a MOCVD grown 642nm band InGaAs laser diode. It's an attractive light source, with a typical light output power of CW 80mW. It's suitable for use as high reliability laser diode in a wide range of industrial application.



PS-D6-5-635-80

Electrical and Optical Characteristics at $T_c=25^\circ\text{C}$

Item	Symbols	Min.	Typ.	Max.	Unit	Condition
Optical Output Power	Po	-	90	-	mW	-
Threshold Current	Ith	-	80	95	mA	-
Operating Current	Iop	-	155	175	mA	Po=80mW
Operating Voltage	Vop	-	2.5	2.7	V	Po=80mW
Peak Wavelength	λ_p	635	642	645	nm	Po=80mW
Beam Divergence	$\Theta_{//}$	7	10	13	deg	Po=80mW
	Θ_{\perp}	16	21	24	deg	Po=80mW
Monitor Current	Im	0.1	0.3	0.5	mA	Po=80mW

Egismos

<http://www.egismos.com>

TEL:+1-888-3481454

FAX:+1-604-4339864

E-Mail:sales@eGismos.com

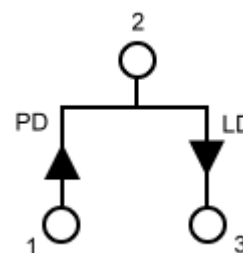
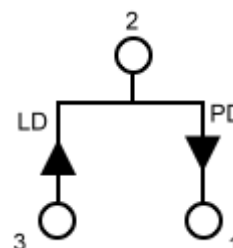
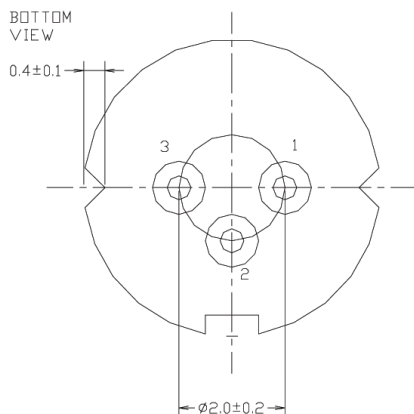
Egismos *DATASHEET*

Absolute Maximum Rating at Tc=25°C

Items	Symbols	Values	Unit
Optical Output Power	Po	90	mW
Laser Diode Reverse Voltage	V	2	V
Photo Diode Reverse Voltage	V	30	V
Operating Temperature	To	-10~+50	°C
Storage Temperature	Ts	-40~+85	°C

Electrical Connection

Package Type



Egismos

<http://www.egismos.com>

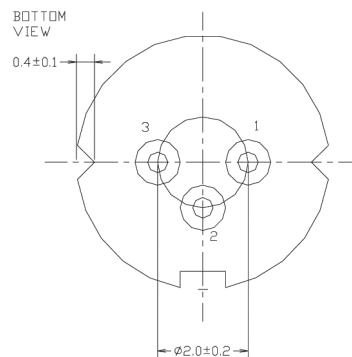
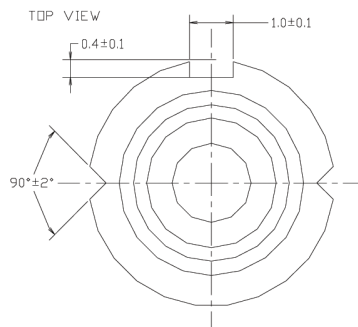
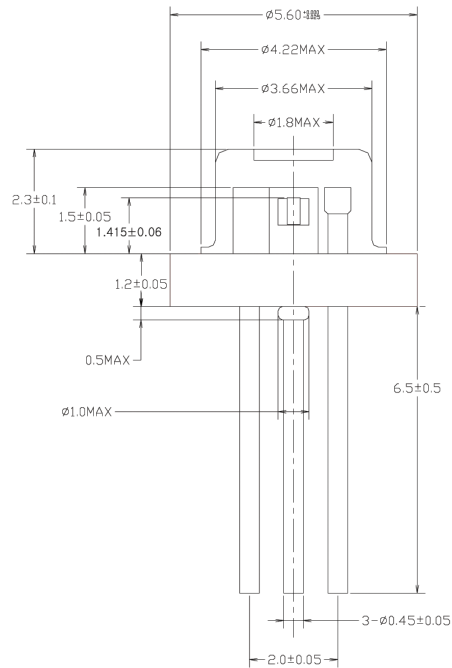
TEL:+1-888-3481454

FAX:+1-604-4339864

E-Mail:sales@eGismos.com

Egismos *DATASHEET*

Laser Diode Package Drawing



Egismos

<http://www.egismos.com>

TEL: +1-888-3481454

FAX: +1-604-4339864

E-Mail: sales@egismos.com