

# Egismos *DATASHEET*

## 637nm Compact Laser Diode Modules Key features

Visible light  $\lambda = 637\text{nm}$   
Output powers = 5mW CW  
Package type=5.6 mm  $\phi$   
High reliability

### Applications

Laser Pointer & General Purpose Red Laser Light Source  
Laser Module & High Precision Engineering Instruments  
Optical Sensor Application of Engineering Instruments

### Laser Diode Solutions

PS-D6-6-637-5 is a MOCVD grown 637nm band InGaAs laser diode. It's an attractive light source, with a typical light output power of CW 5mW. It's suitable for use as high reliability laser diode in a wide range of industrial application.



PS-D6-6-637-5

## Electrical and Optical Characteristics at $T_c=25^\circ\text{C}$

item	symbols	Min.	Typ.	Max.	Unit	Condition
Optical Output Power	Po	-	7	-	mW	-
Threshold Current	Ith	-	15	20	mA	-
Operating Current	Iop	-	20	25	mA	Po=5mW
Operating Voltage	Vop		2.2	2.4	V	Po=5mW
Peak Wavelength	$\lambda_p$	630	637	640	nm	Po=5mW
Beam Divergence	$\Theta_{//}$	5	8	11	deg	Po=5mW
	$\Theta_{\perp}$	28	34	40	deg	Po=5mW
Monitor Current	Im	0.1	0.2	0.5	mA	Po=5mW

**Egismos**

<http://www.egismos.com>

TEL:+1-888-3481454

FAX:+1-604-4339864

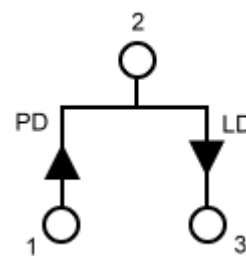
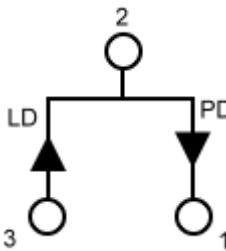
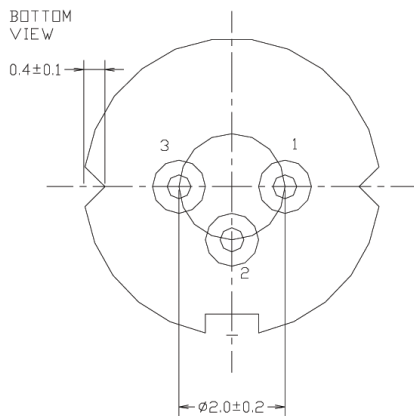
E-Mail:sales@eGismos.com

# Egismos *DATASHEET*

## Absolute Maximum Rating at Tc=25°C

Items	Symbols	Values	Unit
Optical Output Power	Po	7	mW
Laser Diode Reverse Voltage	V	2	V
Photo Diode Reverse Voltage	V	30	V
Operating Temperature	To	-10~+60	°C
Storage Temperature	Ts	-40~+85	°C

## Electrical Connection

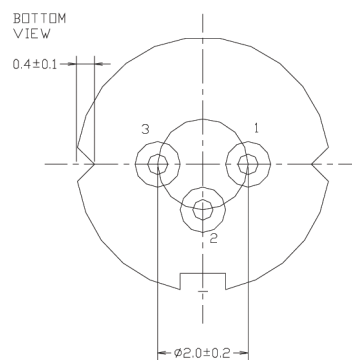
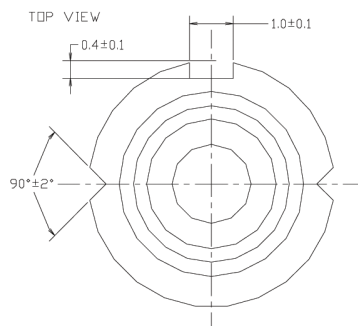
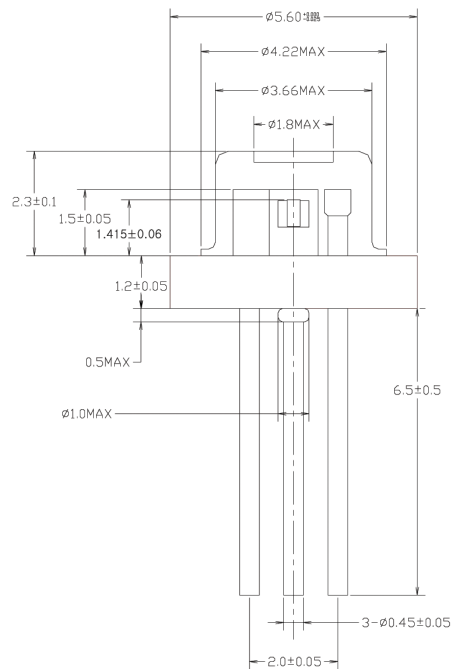


**Egismos**

<http://www.egismos.com>  
TEL:+1-888-3481454  
FAX:+1-604-4339864  
E-Mail:sales@eGismos.com

# Egismos *DATASHEET*

## Laser Diode Package Drawing



**Egismos**

<http://www.egismos.com>

TEL: +1-888-3481454

FAX: +1-604-4339864

E-Mail: [sales@eGismos.com](mailto:sales@eGismos.com)