

# Egismos *DATASHEET*

## 639nm Compact Laser Diode Modules Key features

Visible light  $\lambda = 639\text{nm}$   
Output powers = 20mW CW  
Package type=5.6 mm  $\phi$   
High reliability

### Applications

Laser Pointer & General Purpose Red Laser Light Source  
Laser Module & High Precision Engineering Instruments  
Optical Sensor Application of Engineering Instruments

### Laser Diode Solutions

PS-D6-6-639-20 is a MOCVD grown 639nm band InGaAs laser diode. It's an attractive light source, with a typical light output power of CW 5mW. It's suitable for use as high reliability laser diode in a wide range of industrial application.



PS-D6-5-639-20

## Electrical and Optical Characteristics at $T_c=25^\circ\text{C}$

item	symbols	Min.	Typ.	Max.	Unit	Condition
Optical Output Power	Po	-	25	-	mW	-
Threshold Current	Ith	-	45	60	mA	-
Operating Current	Iop	-	65	80	mA	Po=20mW
Operating Voltage	Vop	-	2.3	2.5	V	Po=20mW
Peak Wavelength	$\lambda_p$	630	639	643	nm	Po=20mW
Beam Divergence	$\Theta_{//}$	6	9	12	deg	Po=20mW
	$\Theta_{\perp}$	16	21	24	deg	Po=20mW

**Egismos**

<http://www.egismos.com>

TEL:+1-888-3481454

FAX:+1-604-4339864

E-Mail:sales@eGismos.com

# EGISMOS *DATASHEET*

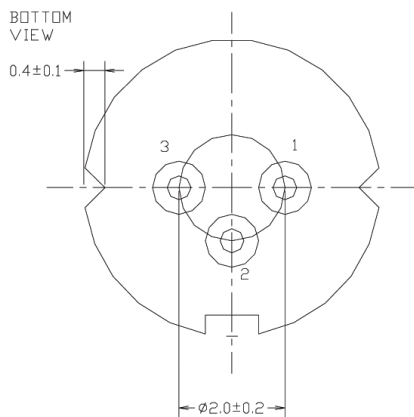
## Absolute Maximum Rating at Tc=25°C

Items	Symbols	Values	Unit
Optical Output Power	Po	25	mW
Laser Diode Reverse Voltage	V	2	V
Operating Temperature	To	-10~+60	°C
Storage Temperature	Ts	-40~+85	°C

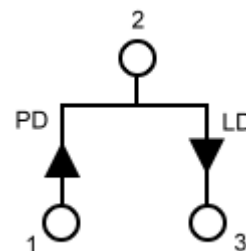
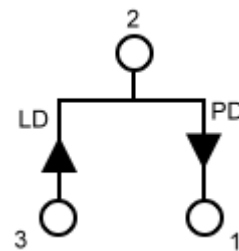


PS-D6-5-639-20

## Electrical Connection



## Package Type

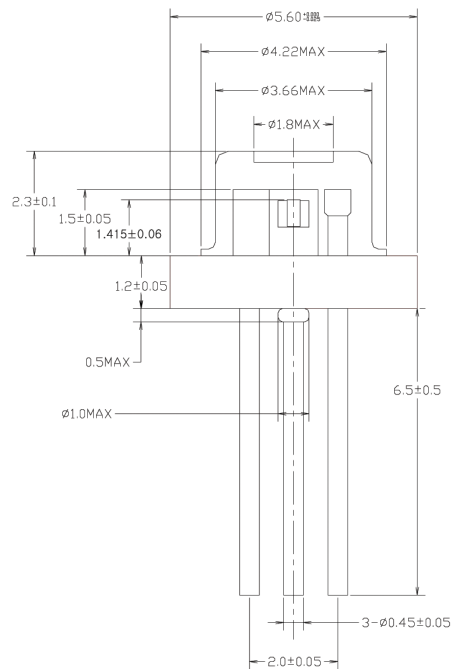


**EGISMOS**

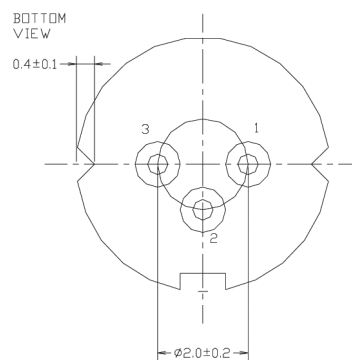
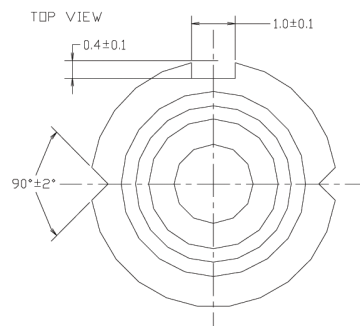
<http://www.egismos.com>  
 TEL:+1-888-3481454  
 FAX:+1-604-4339864  
 E-Mail:sales@eGismos.com

# Egismos *DATASHEET*

## Laser Diode Package Drawing



PS-D6-5-639-20



**Egismos**

<http://www.egismos.com>

TEL: +1-888-3481454

FAX: +1-604-4339864

E-Mail: [sales@egismos.com](mailto:sales@egismos.com)