

Egismos *DATASHEET*

830nm Compact Laser Diode Modules Key features

Visible light $\lambda = 830\text{nm}$
Output powers = 50mW CW
Package type=5.6mm ϕ
High reliability

Applications

General Purpose Infrared Red Laser Light Source
Pumping Source for DPSS green laser



PS-D6-6-830-50

Laser Diode Solutions

PS-D6-6-830-50 is a MOCVD grown 808nm band laser diode. It's an attractive light source, with a typical light output power of 50mW. It's suitable for use as high reliability laser diode in a wide range of industrial application.

Electrical and Optical Characteristics at $T_c=25^\circ\text{C}$

item	symbols	Min.	Typ.	Max.	Unit	Condition
Optical Output Power	Po	-	50	-	mW	-
Threshold Current	Ith	-	20	40	mA	-
Operating Current	Iop	-	75	100	mA	Po=50mW
Operating Voltage	Vop	-	1.9	2.4	V	Po=50mW
Peak Wavelength	λ_p	820	830	840	nm	Po=50mW
Beam Divergence	$\Theta_{//}$	6	9	12	deg	Po=50mW
	Θ_{\perp}	18	22	26	deg	Po=50mW
Monitor Current	Im	-	0.22	-	mA	Po=50mW

Egismos

<http://www.egismos.com>

TEL:+1-888-3481454

FAX:+1-604-4339864

E-Mail:sales@eGismos.com

Egismos *DATASHEET*

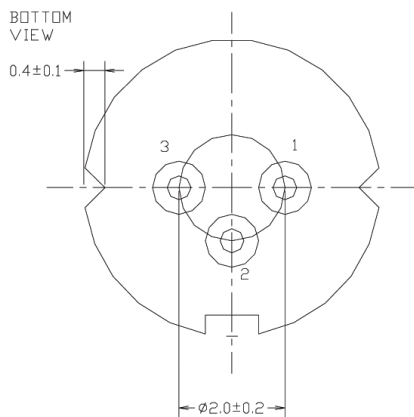
Absolute Maximum Rating at Tc=25°C

Items	Symbols	Values	Unit
Optical Output Power	Po	50	mW
Laser Diode Reverse Voltage	V	2	V
Photo Diode Reverse Voltage	V	30	V
Operating Temperature	To	-10~+60	°C
Storage Temperature	Ts	-40~+85	°C

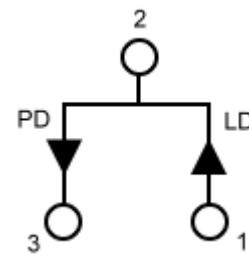


PS-D6-6-830-50

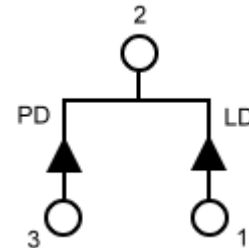
Electrical Connection



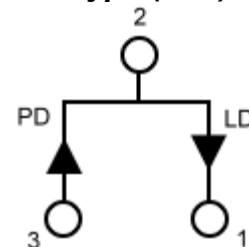
Package Type



P type (P,U,C)



M type (M,R)



N type (N,L,A)

Egismos

<http://www.egismos.com>

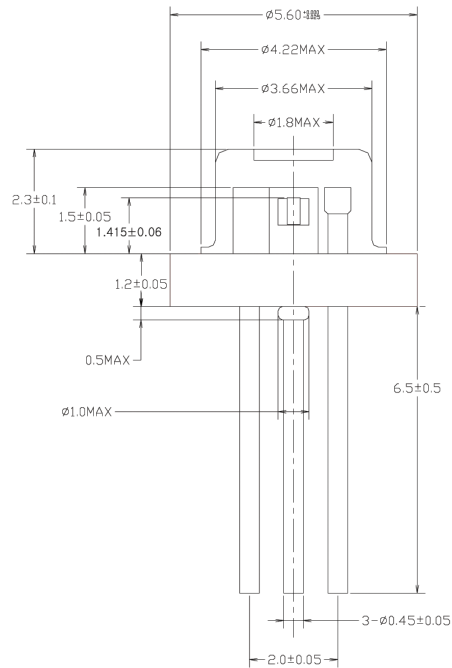
TEL:+1-888-3481454

FAX:+1-604-4339864

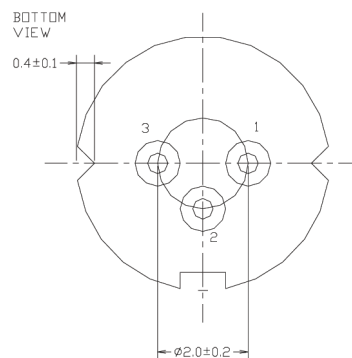
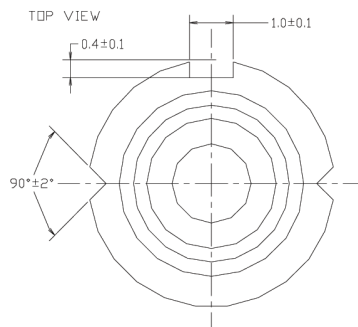
E-Mail:sales@eGismos.com

Egismos *DATASHEET*

Laser Diode Package Drawing



PS-D6-6-830-50



Egismos

<http://www.egismos.com>

TEL: +1-888-3481454

FAX: +1-604-4339864

E-Mail: sales@egismos.com