

# EGISMOS *DATASHEET*

## 852nm Compact Laser Diode Modules Key features

Visible light  $\lambda = 852\text{nm}$   
Output powers = 50mW CW  
Package type=5.6 mm  $\phi$   
High reliability

### Applications

General Purpose Infrared Red Laser Light Source  
Pumping Source for DPSS green laser



PS-D6-6-852-50

## Laser Diode Solutions

PS-D6-6-852-50 is a MOCVD grown 852nm band laser diode. It's an attractive light source, with a typical light output power of 50mW. It's suitable for use as high reliability laser diode in a wide range of industrial application.

## Electrical and Optical Characteristics at $T_c=25^\circ\text{C}$

item	symbols	Min.	Typ.	Max.	Unit	Condition
Optical Output Power	Po	-	50	-	mW	-
Threshold Current	Ith	-	20	40	mA	-
Operating Current	Iop	-	75	100	mA	Po=50mW
Operating Voltage	Vop	-	1.9	2	V	Po=50mW
Peak Wavelength	$\lambda_p$	842	852	862	nm	Po=50mW
Beam Divergence	$\Theta_{//}$	6	9	12	deg	Po=50mW
	$\Theta_{\perp}$	18	22	26	deg	Po=50mW
Monitor Current	Im	-	0.25	-	mA	Po=50mW

**EGISMOS**

<http://www.egismos.com>  
TEL:+1-888-3481454  
FAX:+1-604-4339864  
E-Mail:sales@eGismos.com

# EGISMOS *DATASHEET*

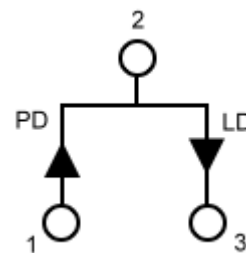
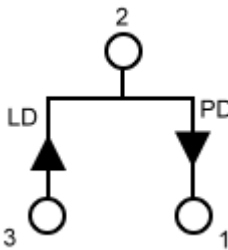
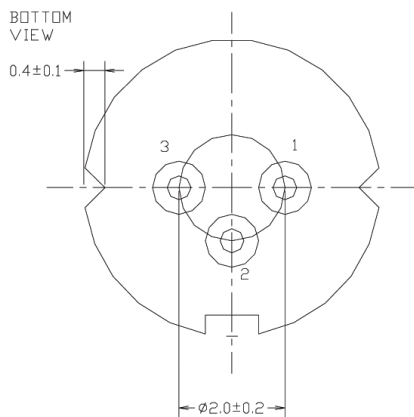
## Absolute Maximum Rating at Tc=25°C

Items	Symbols	Values	Unit
Optical Output Power	Po	50	mW
Laser Diode Reverse Voltage	V	2	V
Photo Diode Reverse Voltage	V	30	V
Operating Temperature	To	-10~+60	°C
Storage Temperature	Ts	-40~+85	°C



PS-D6-6-852-50

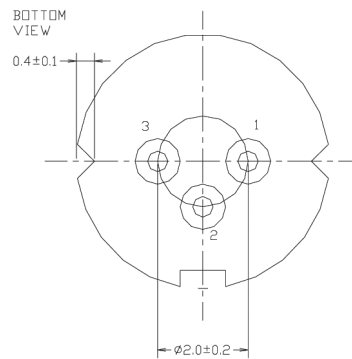
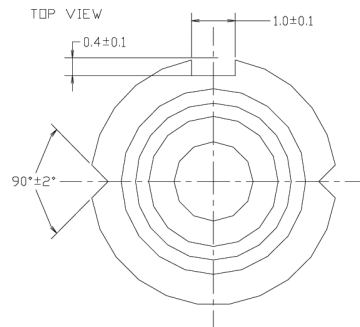
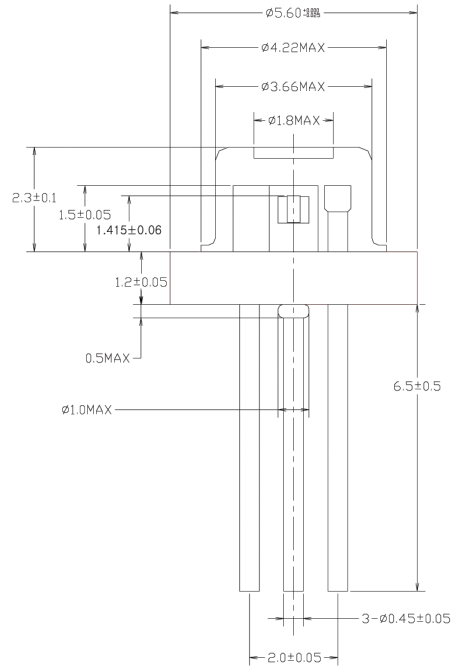
## Electrical Connection



## Package Type

# Egismos DATASHEET

## Laser Diode Package Drawing



**Egismos**

<http://www.egismos.com>

TEL: +1-888-3481454

FAX: +1-604-4339864

E-Mail: [sales@egismos.com](mailto:sales@egismos.com)