

Egismos *DATASHEET*

650nm Compact Laser Diode Modules Key features

Visible light $\lambda = 650\text{nm}$
 Output powers = 10mW
 Package type = 5.6 mm ϕ
 High reliability

Applications

General Purpose Infrared Red Laser Light Source
 Printer Scanner Unit & Infrared Red Laser Module for Industry Application
 Optical Storage & High Precision Engineering Instruments

Laser Diode Solutions

SS-D6-5-650-10 is a MOCVD grown 650nm band laser diode. It's an attractive light source, with a typical light output power of CW 10mW. It's suitable for use as high reliability laser diode in a wide range of industrial application.



Electrical and Optical Characteristics at $T_c=25^\circ\text{C}$

Item	Symbols	Min.	Typ.	Max.	Unit	Condition
Optical Output Power	Po	-	10	-	mW	-
Threshold Current	Ith	-	40	50	mA	-
Operating Current	Iop	-	60	80	mA	Po=10mW
Operating Voltage	Vop	-	2.3	2.6	V	Po=10mW
Peak Wavelength	λ_p	645	655	660	nm	Po=10mW
Beam Divergence	$\Theta_{//}$	6	9	12	deg	Po=10mW
	Θ_{\perp}	24	28	35	deg	Po=10mW
Beam Angle	$\Delta\Theta_{//}$	-	-	± 1.5	deg	Po=10mW
	$\Delta\Theta_{\perp}$	-	-	± 2.5	deg	Po=10mW
Optical Distance	$\Delta X, \Delta Y, \Delta Z$	-	-	± 60	μm	Po=10mW

Egismos

<http://www.egismos.com>

TEL:+1-888-3481454

FAX:+1-604-4339864

E-Mail:sales@eGismos.com

Egismos *DATASHEET*

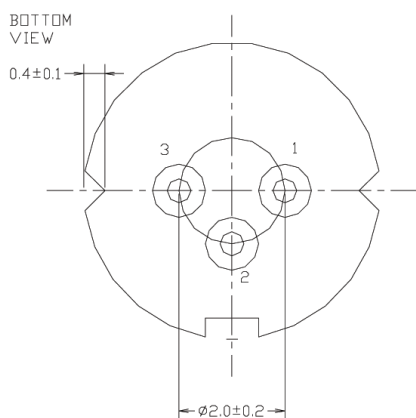
Absolute Maximum Rating at Tc=25°C

Items	Symbols	Values	Unit
Optical Output Power	Po	12	mW
Laser Diode Reverse Voltage	V	2	V
Photo Diode Reverse Voltage	V	30	V
Operating Temperature	To	-10~+60	°C
Storage Temperature	Ts	-40~+85	°C

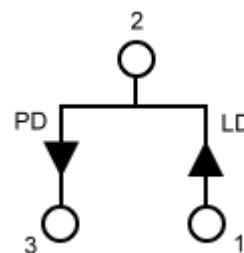


SS-D6-5-650-10

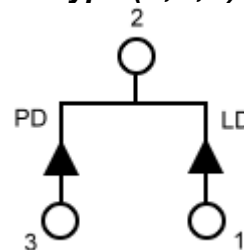
Electrical Connection



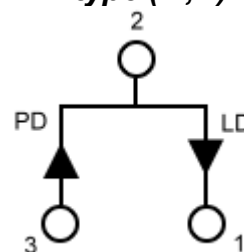
Package Type



P type (P,U,C)



M type (M,R)



N type (N,L,A)

Egismos

<http://www.egismos.com>

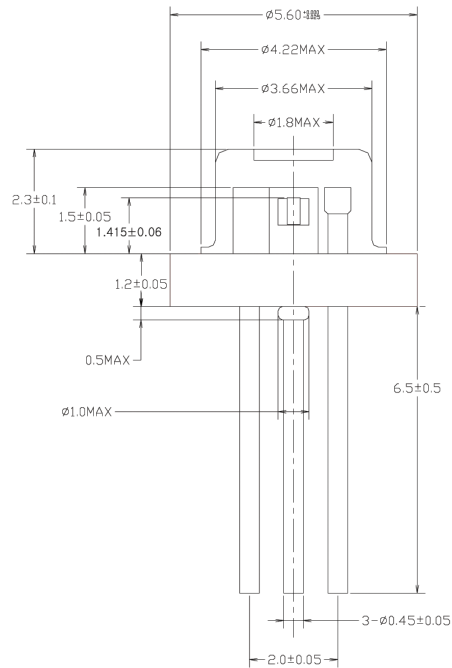
TEL:+1-888-3481454

FAX:+1-604-4339864

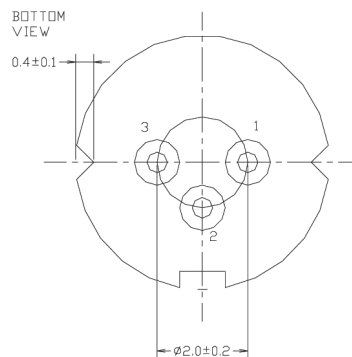
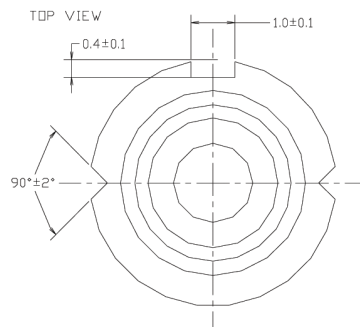
E-Mail:sales@eGismos.com

Egismos *DATASHEET*

Laser Diode Package Drawing



SS-D6-5-650-10



Egismos

<http://www.egismos.com>

TEL: +1-888-3481454

FAX: +1-604-4339864

E-Mail: sales@egismos.com