

## D6-4-635-5

### Key features

Visible Light  $\lambda = 635\text{nm}$   
Output Power = 5mW  
Package Type= 5.6mm $\Phi$

### Applications

Laser Pointer & General Purpose Red Laser Light Source  
Bar Code Reader & High Precision Measuring Instruments  
Laser Module & High Precision Engineering Instruments

### Electrical and Optical Characteristics at $T_c = 25^\circ\text{C}$

Item	Symbols	Min.	Typ.	Max.	Unit	Condition
Optical Output Power	Po	-	5	-	mW	-
Threshold Current	Ith	-	23	35	mA	Po=5mW
Operating Current	Iop	-	32	45	mA	Po=5mW
Monitor Current	Im	0.1	0.15	0.5	mA	Po=5mW
Operating Voltage	Vop	-	2.2	2.7	V	Po=5mW
Peak Wavelength	$\lambda_p$	630	637	640	nm	Po=5mW
Beam Divergence	$\theta_{//}$	6	8	12	deg	Po=5mW
	$\theta_{\perp}$	28	34	40	deg	Po=5mW
Beam Deviation Angle	$\Delta\theta_{//}$	-1.5	-	1.5	deg	Po=5mW
	$\Delta\theta_{\perp}$	-2.5	-	2.5	deg	Po=5mW

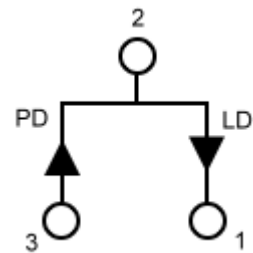
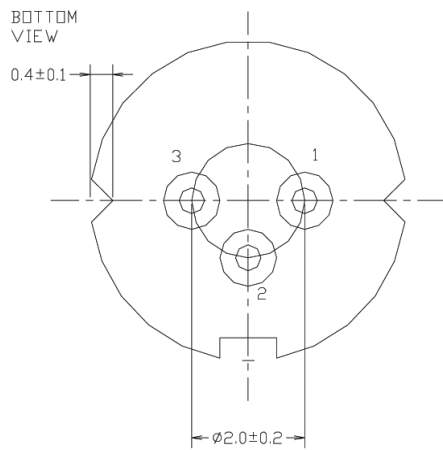
# Egismos Red Laser Diode

## Absolute Maximum Rating at Tc=25°C

Items	Symbols	Values	Unit
Optical Output Power	Po(CW)	6	mW
Laser Diode Reverse Voltage	V	2	V
Photo Diode Reverse Voltage	V	30	V
Operating Temperature	To	-10~+40	°C
Storage Temperature	Ts	-40~+85	°C

## Electrical Connection

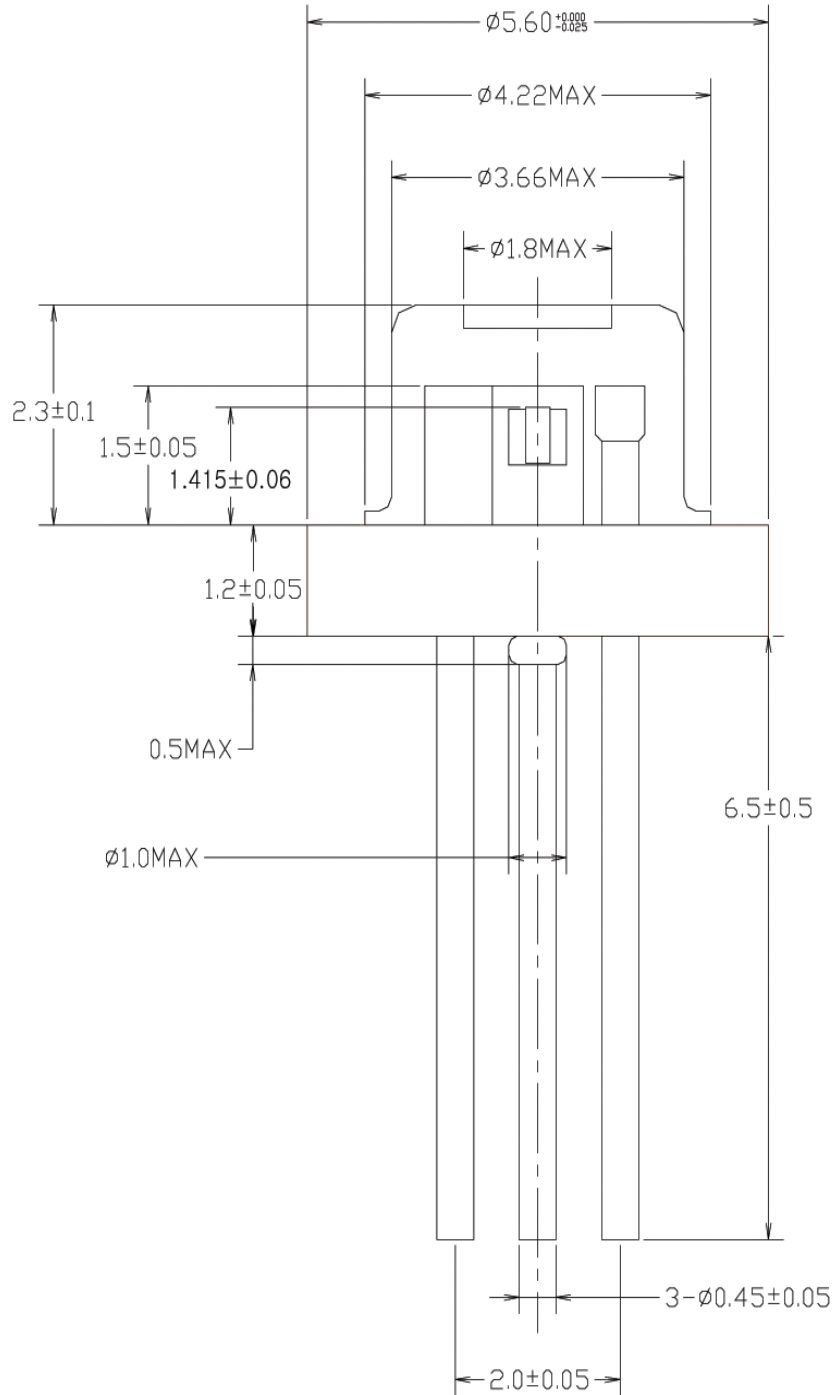
## Package Type



N type

# Egismos Red Laser Diode

## Package Drawing



D646355-a

**Egismos**

www.egismos.com  
TEL: +1-360-389-3347  
FAX: +1-360-326-7275  
sales@Egismos.com