

D6-5-635-20

Key features

Visible Light $\lambda = 635\text{nm}$
Output Power = 20mW
Package Type= 5.6mm Φ

Applications

Laser Pointer & General Purpose Red Laser Light Source
Bar Code Reader & High Precision Measuring Instruments
Laser Module & High Precision Engineering Instruments

Electrical and Optical Characteristics at $T_c = 25^\circ\text{C}$

Item	Symbols	Min.	Typ.	Max.	Unit	Condition
Optical Output Power	Po	-	25	-	mW	-
Threshold Current	Ith	-	45	60	mA	Po=20mW
Operating Current	Iop	-	65	80	mA	Po=20mW
Monitor Current	Im	0.1	0.2	0.4	mA	Po=20mW
Operating Voltage	Vop	-	2.3	2.5	V	Po=20mW
Peak Wavelength	λ_p	630	639	643	nm	Po=20mW
Beam Divergence	$\theta_{//}$	6	9	12	deg	Po=20mW
	θ_{\perp}	16	21	24	deg	Po=20mW

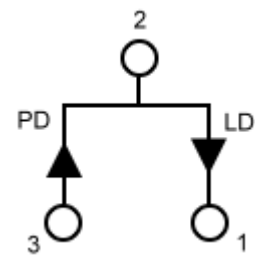
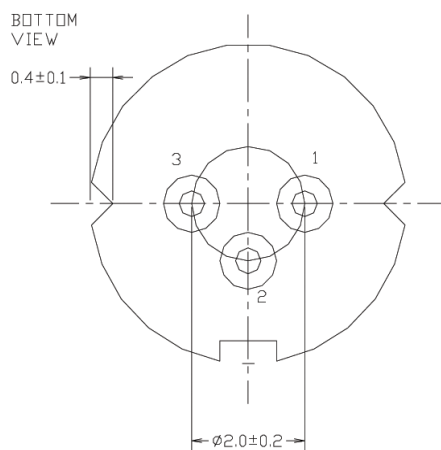
EGISMOS Red Laser Diode

Absolute Maximum Rating at Tc=25°C

Items	Symbols	Values	Unit
Optical Output Power	Po(CW)	25	mW
Laser Diode Reverse Voltage	V	2	V
Photo Diode Reverse Voltage	V	30	V
Operating Temperature	To	-10~+50	°C
Storage Temperature	Ts	-40~+85	°C

Electrical Connection

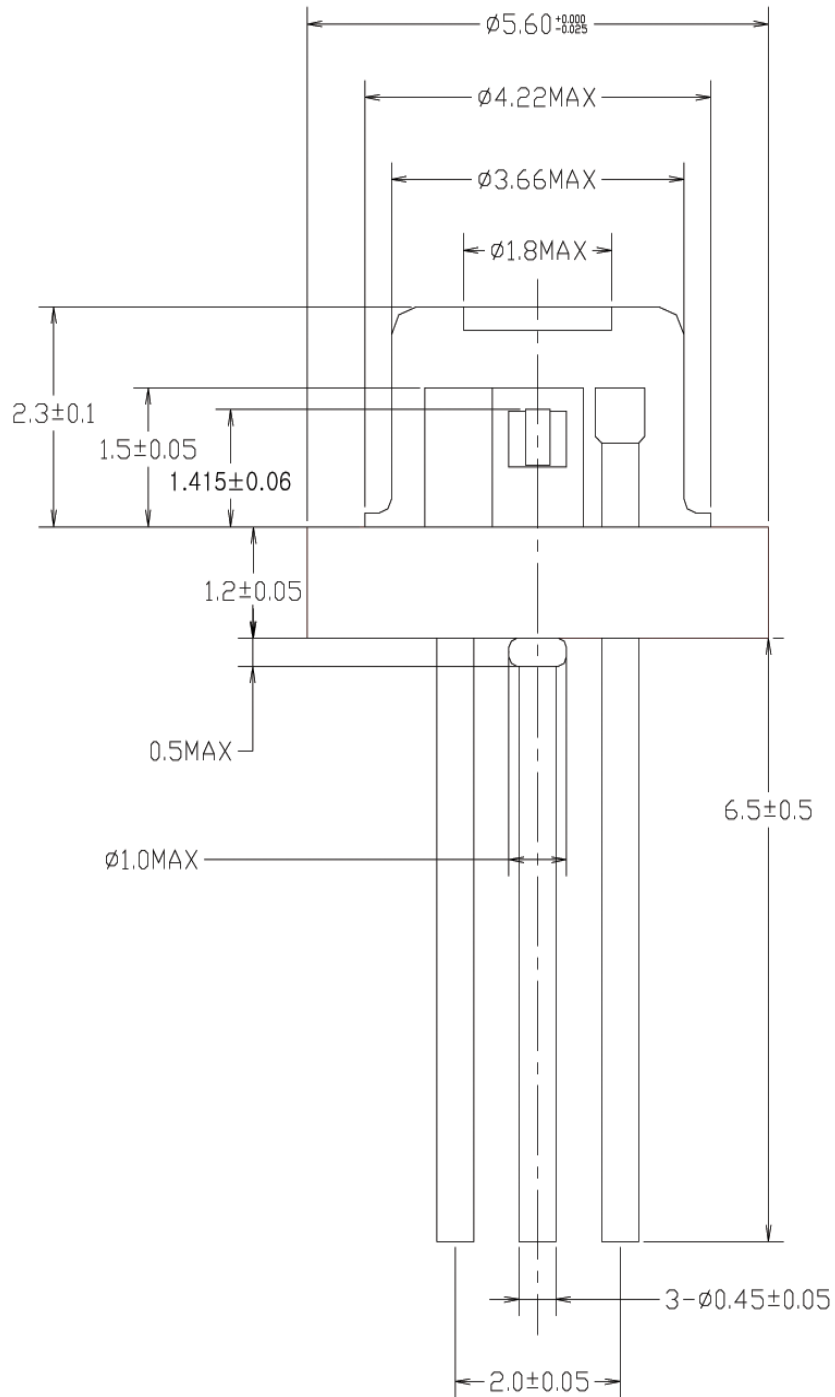
Package Type



N type

EGISMOS Red Laser Diode

Package Drawing



D6563520-a

EGISMOS

www.egismos.com
TEL: +1-360-389-3347
FAX: +1-360-326-7275
sales@egismos.com