

D6-5-635-5

Key features

Visible Light $\lambda = 635\text{nm}$
Output Power = 5mW
Package Type= 5.6mm Φ

Applications

Laser Pointer & General Purpose Red Laser Light Source
Bar Code Reader & High Precision Measuring Instruments
Laser Module & High Precision Engineering Instruments

Electrical and Optical Characteristics at $T_c = 25^\circ\text{C}$

Item	Symbols	Min.	Typ.	Max.	Unit	Condition
Optical Output Power	Po	-	5	-	mW	-
Threshold Current	Ith	-	20	40	mA	Po=5mW
Operating Current	Iop	-	30	45	mA	Po=5mW
Monitor Current	Im	0.08	0.15	0.4	mA	Po=5mW
Operating Voltage	Vop	-	2.2	2.7	V	Po=5mW
Peak Wavelength	λ_p	635	-	643	nm	Po=5mW
Beam Divergence	$\theta_{//}$	6	8	10	deg	Po=5mW
	θ_{\perp}	27	32	36	deg	Po=5mW
Beam Deviation Angle	$\Delta\theta_{//}$	-3	-	3	deg	Po=5mW
	$\Delta\theta_{\perp}$	-3	-	3	deg	Po=5mW

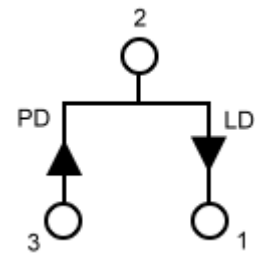
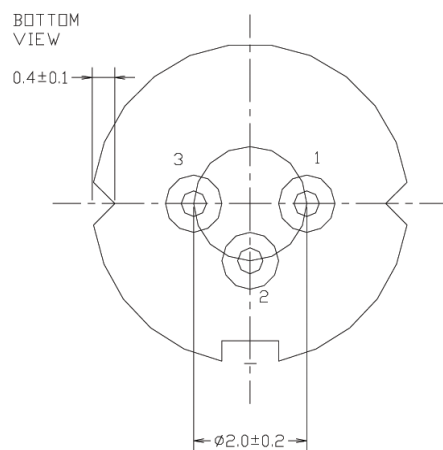
EGISMOS Red Laser Diode

Absolute Maximum Rating at Tc=25°C

Items	Symbols	Values	Unit
Optical Output Power	Po(CW)	6	mW
Laser Diode Reverse Voltage	V	2	V
Photo Diode Reverse Voltage	V	30	V
Operating Temperature	To	-10~+50	°C
Storage Temperature	Ts	-40~+85	°C

Electrical Connection

Package Type



N type

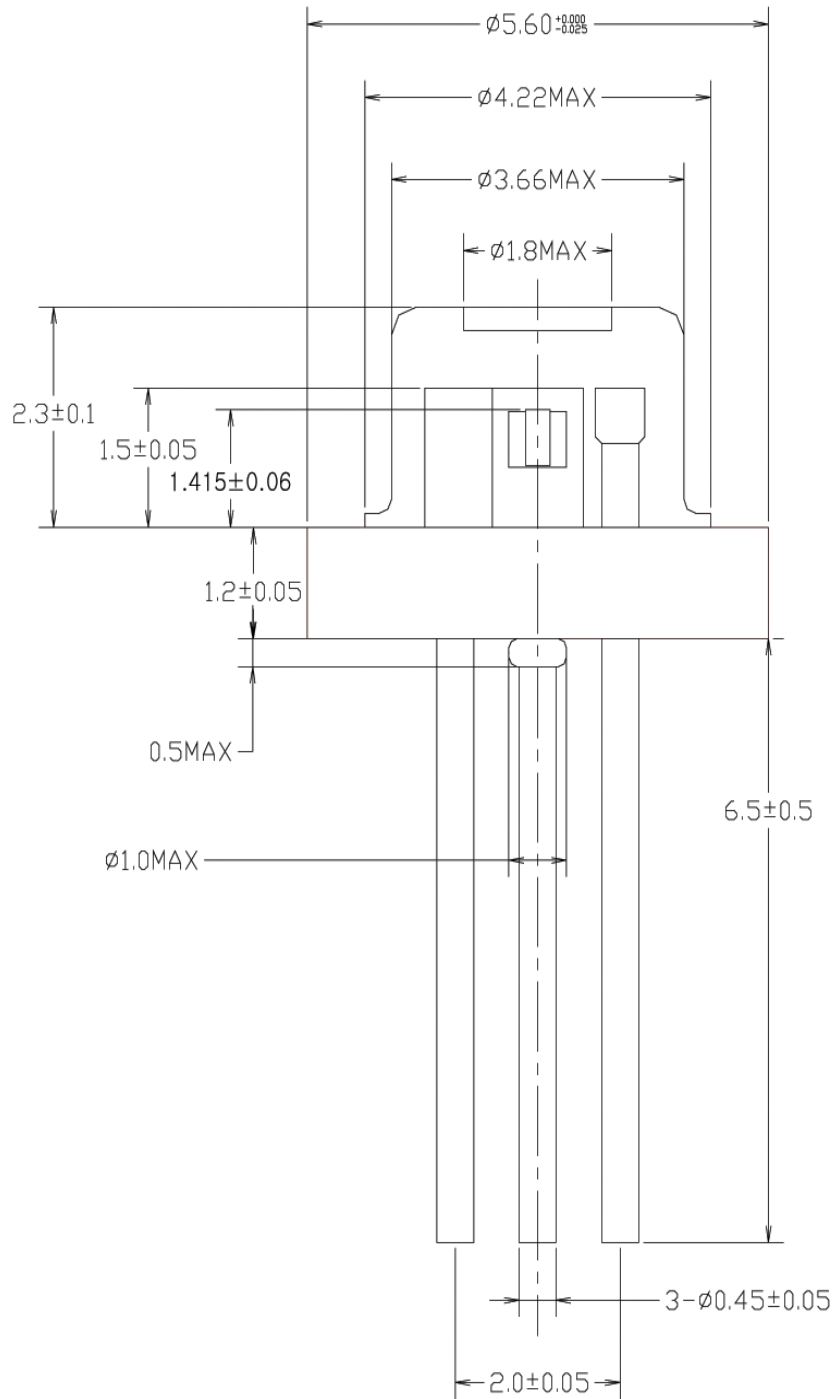
Package Drawing

D656355-a

EGISMOS

www.egismos.com
TEL: +1-360-389-3347
FAX: +1-360-326-7275
sales@egismos.com

Egismos Red Laser Diode



D656355-a

Egismos

www.egismos.com
TEL: +1-360-389-3347
FAX: +1-360-326-7275
sales@Egismos.com