

## D6-5-640-150

### Key features

Visible Light  $\lambda = 640\text{nm}$   
Output Power = 150mW  
Package Type= 5.6mm $\Phi$

### Applications

Laser Pointer & General Purpose Red Laser Light Source  
Bar Code Reader & High Precision Measuring Instruments  
Laser Module & High Precision Engineering Instruments

### Electrical and Optical Characteristics at $T_c = 25^\circ\text{C}$

Item	Symbols	Min.	Typ.	Max.	Unit	Condition
Optical Output Power	Po	-	150	-	mW	-
Threshold Current	Ith	-	110	140	mA	Po=150mW
Operating Current	Iop	-	280	350	mA	Po=150mW
Operating Voltage	Vop	-	2.6	3	V	Po=150mW
Peak Wavelength	$\lambda_p$	635	642	647	nm	Po=150mW
Beam Divergence	$\theta_{//}$	6	9	13	deg	Po=150mW
	$\theta_{\perp}$	13	17	22	deg	Po=150mW

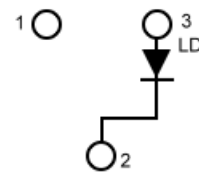
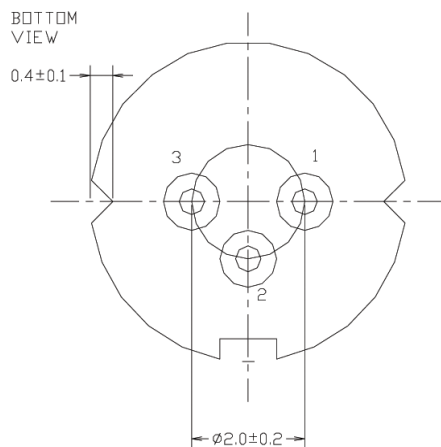
# Egismos Red Laser Diode

## Absolute Maximum Rating at $T_c=25^{\circ}\text{C}$

Items	Symbols	Values	Unit
Optical Output Power	Po(CW)	150	mW
Laser Diode Reverse Voltage	V	2	V
Operating Temperature	To	-10~+40	$^{\circ}\text{C}$
Storage Temperature	Ts	-40~+85	$^{\circ}\text{C}$

## Electrical Connection

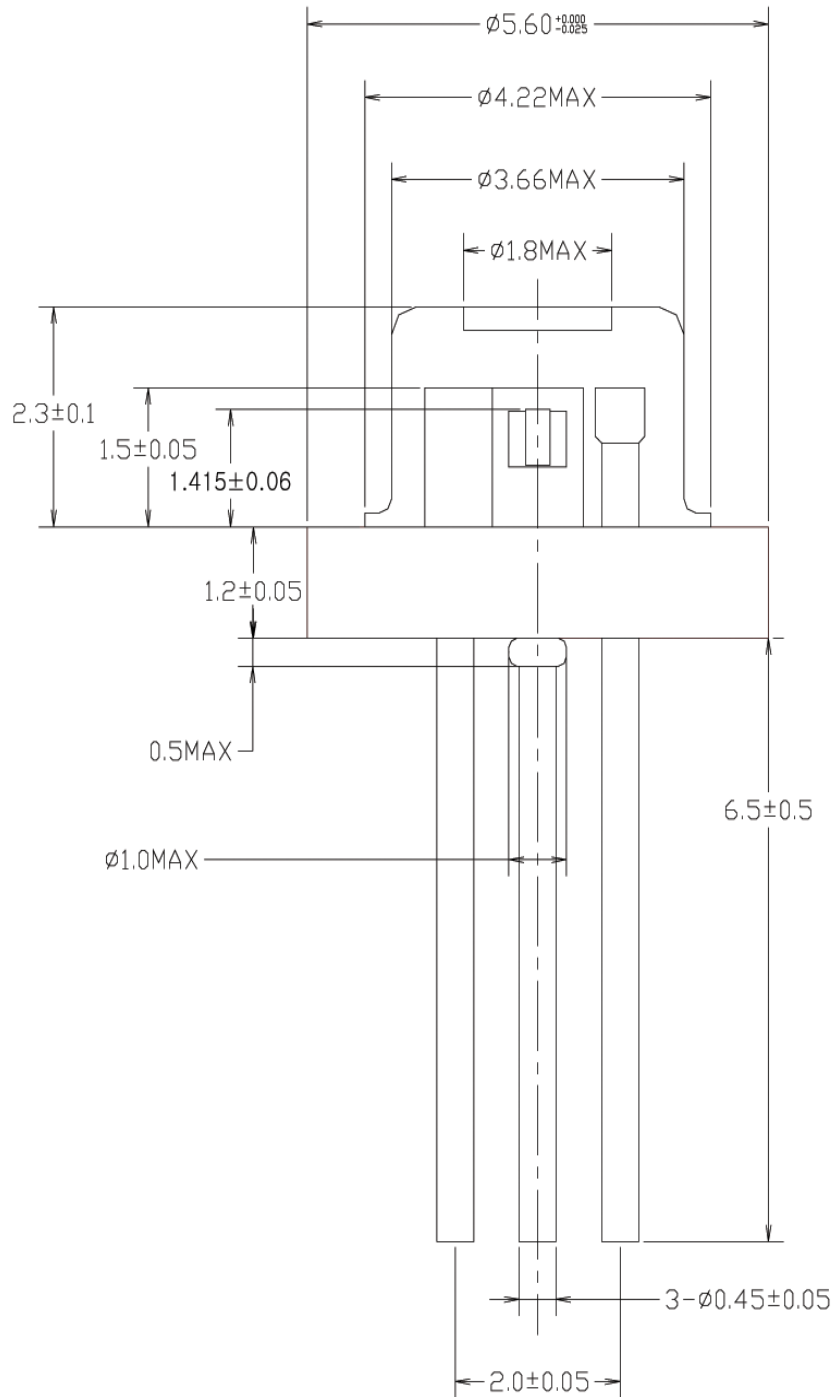
## Package Type



X type

# EGISMOS Red Laser Diode

## Package Drawing



D65640150-a

**EGISMOS**

www.egismos.com  
TEL: +1-360-389-3347  
FAX: +1-360-326-7275  
sales@Egismos.com