

D6-5-650-10

Key features

Visible Light $\lambda = 650\text{nm}$
Output Power = 10mW
Package Type= 5.6mm Φ

Applications

Laser Pointer & General Purpose Red Laser Light Source
Bar Code Reader & High Precision Measuring Instruments
Laser Module & High Precision Engineering Instruments

Electrical and Optical Characteristics at $T_c = -25^\circ\text{C}$

Item	Symbols	Min.	Typ.	Max.	Unit	Condition
Optical Output Power	Po	-	10	-	mW	-
Threshold Current	Ith	-	18	20	mA	Po=10mW
Operating Current	Iop	-	28	30	mA	Po=10mW
Differential Efficiency	SE	0.7	0.85	1.2	mW/mA	Po=10mW
Monitor Current	Im	0.1	0.3	0.4	mA	Po=10mW
Operating Voltage	Vop	-	2.2	2.5	V	Po=10mW
Peak Wavelength	λ_p	645	655	660	nm	Po=10mW
Beam Divergence	$\theta_{//}$	6	9.5	12	deg	Po=10mW
	θ_{\perp}	25	28	32	deg	Po=10mW
Beam Deviation Angle	$\Delta\theta_{//}$	-2	-	2	deg	Po=10mW
	$\Delta\theta_{\perp}$	-2	-	2	deg	Po=10mW

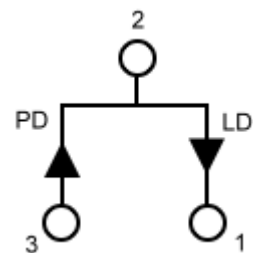
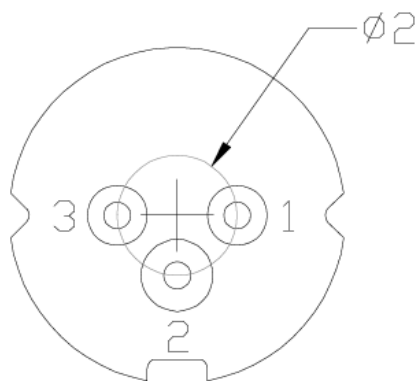
Egismos Red Laser Diode

Absolute Maximum Rating at Tc=25°C

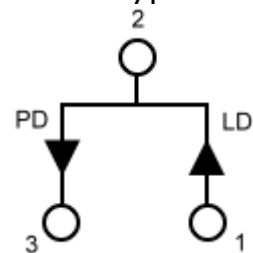
Items	Symbols	Values	Unit
Optical Output Power	Po(CW)	10	mW
Laser Diode Reverse Voltage	V	2	V
Photo Diode Reverse Voltage	V	30	V
Operating Temperature	To	-10~+50	°C
Storage Temperature	Ts	-40~+85	°C

Electrical Connection

Package Type



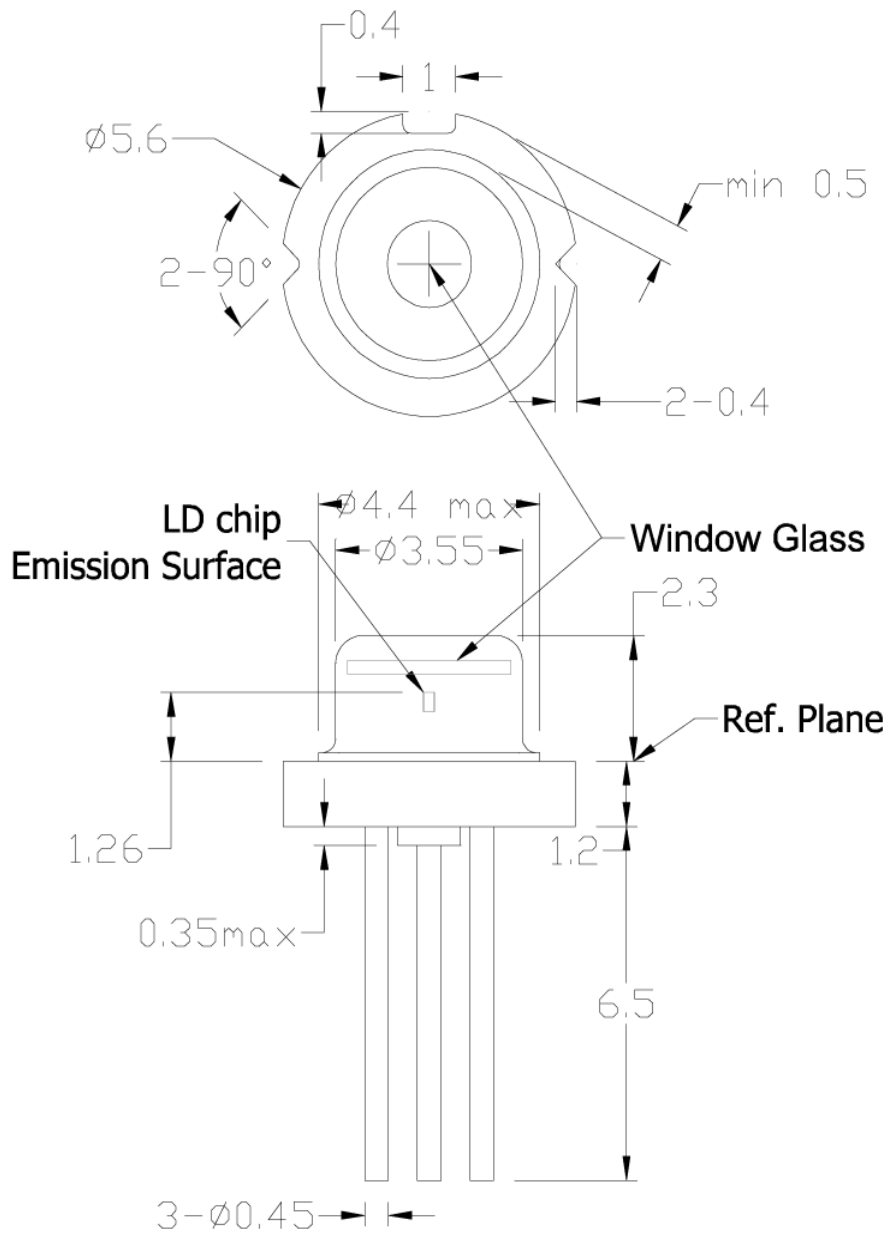
N type



P type

Egismos Red Laser Diode

Package Drawing



D6565010-a

Egismos

www.egismos.com
TEL: +1-360-389-3347
FAX: +1-360-326-7275
sales@egismos.com