

D6-6-635-5

Key features

Visible Light $\lambda = 635\text{nm}$
Output Power = 5mW
Package Type= 5.6mm Φ

Applications

Laser Pointer & General Purpose Red Laser Light Source
Bar Code Reader & High Precision Measuring Instruments
Laser Module & High Precision Engineering Instruments

Electrical and Optical Characteristics at $T_c = 25^\circ\text{C}$

Item	Symbols	Min.	Typ.	Max.	Unit	Condition
Optical Output Power	Po	-	7	-	mW	-
Threshold Current	Ith	-	15	20	mA	Po=5mW
Operating Current	Iop	-	20	25	mA	Po=5mW
Monitor Current	Im	0.1	0.2	0.5	mA	Po=5mW
Operating Voltage	Vop	-	2.2	2.4	V	Po=5mW
Peak Wavelength	λ_p	630	637	640	nm	Po=5mW
Beam Divergence	$\theta_{//}$	5	8	11	deg	Po=5mW
	θ_{\perp}	28	34	40	deg	Po=5mW

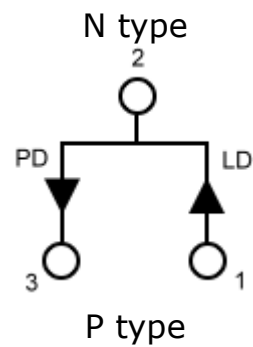
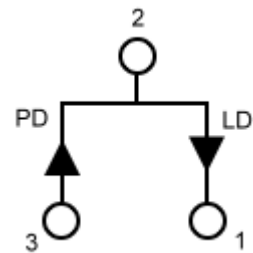
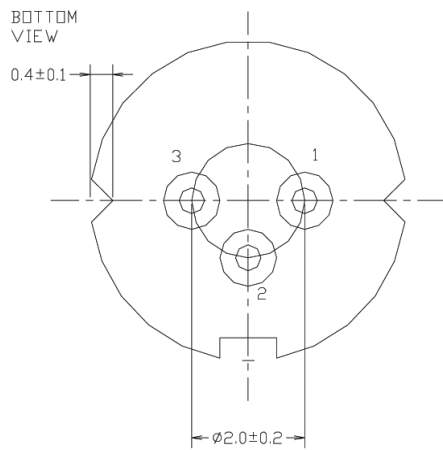
EGISMOS Red Laser Diode

Absolute Maximum Rating at Tc=25°C

Items	Symbols	Values	Unit
Optical Output Power	Po(CW)	7	mW
Laser Diode Reverse Voltage	V	2	V
Photo Diode Reverse Voltage	V	30	V
Operating Temperature	To	-10~+60	°C
Storage Temperature	Ts	-40~+85	°C

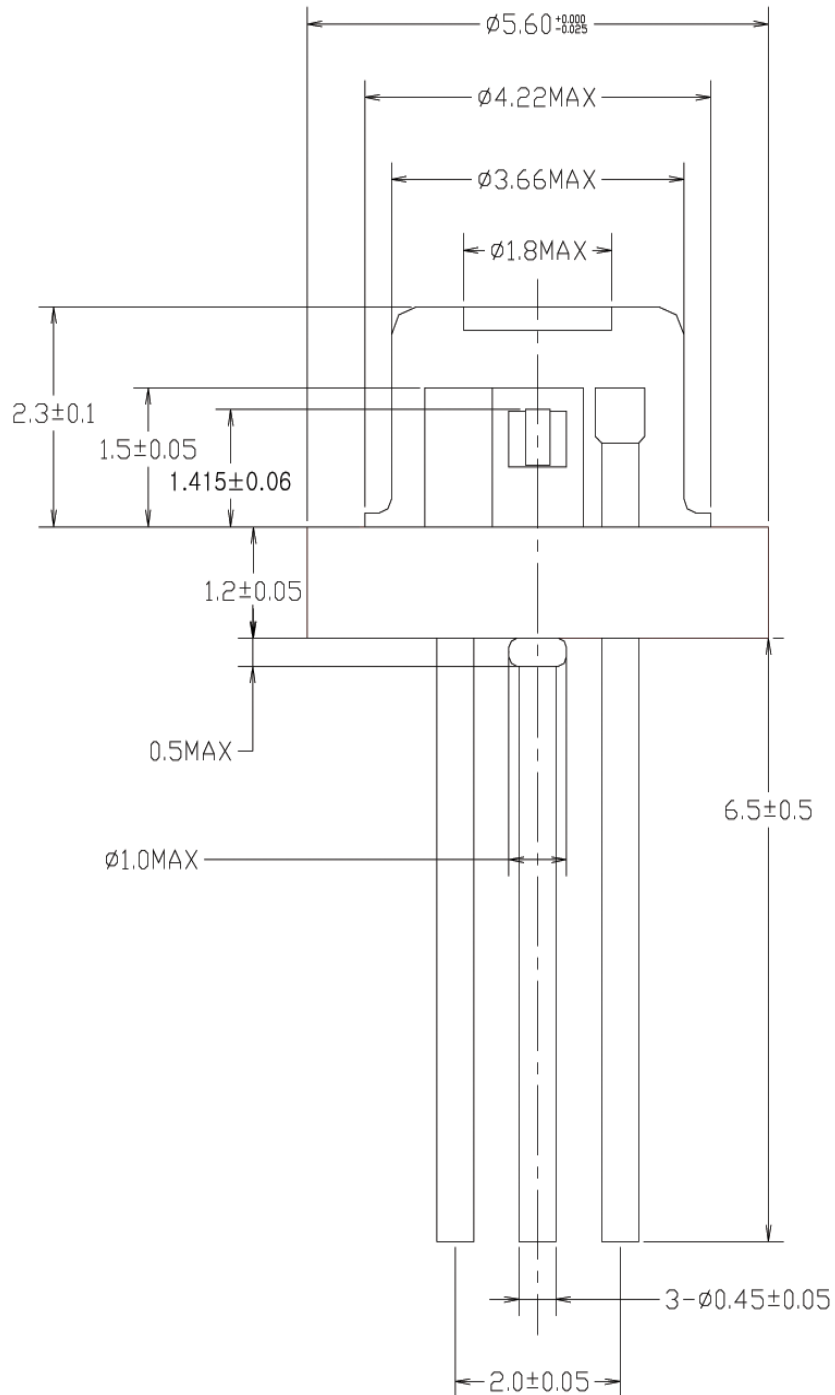
Electrical Connection

Package Type



EGISMOS Red Laser Diode

Package Drawing



D666355-a

EGISMOS

www.egismos.com
TEL: +1-360-389-3347
FAX: +1-360-326-7275
sales@egismos.com