

D6-7-685-50

Key features

Visible Light $\lambda = 685\text{nm}$
Output Power = 50mW
Package Type= 5.6mm Φ

Applications

Laser Pointer & General Purpose Red Laser Light Source
Bar Code Reader & High Precision Measuring Instruments
Laser Module & High Precision Engineering Instruments

Electrical and Optical Characteristics at $T_c = -25^\circ\text{C}$

Item	Symbols	Min.	Typ.	Max.	Unit	Condition
Optical Output Power	Po	-	55	-	mW	-
Threshold Current	Ith	-	30	60	mA	Po=50mW
Operating Current	Iop	-	75	120	mA	Po=50mW
Differential Efficiency	SE	0.08	0.15	0.35	mW/mA	Po=50mW
Operating Voltage	Vop	-	2.5	3	V	Po=50mW
Peak Wavelength	λ_p	675	685	695	nm	Po=50mW
Beam Divergence	$\theta_{//}$	7	9	12	deg	Po=50mW
	θ_{\perp}	18	21	25	deg	Po=50mW

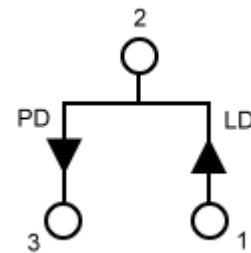
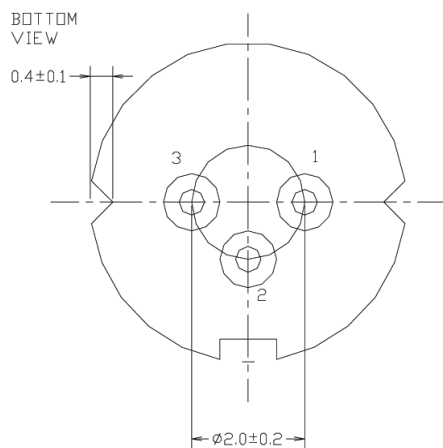
EGISMOS Red Laser Diode

Absolute Maximum Rating at Tc=25°C

Items	Symbols	Values	Unit
Optical Output Power	Po(CW)	55	mW
Laser Diode Reverse Voltage	V	2	V
Photo Diode Reverse Voltage	V	30	V
Operating Temperature	To	-10~+70	°C
Storage Temperature	Ts	-40~+85	°C

Electrical Connection

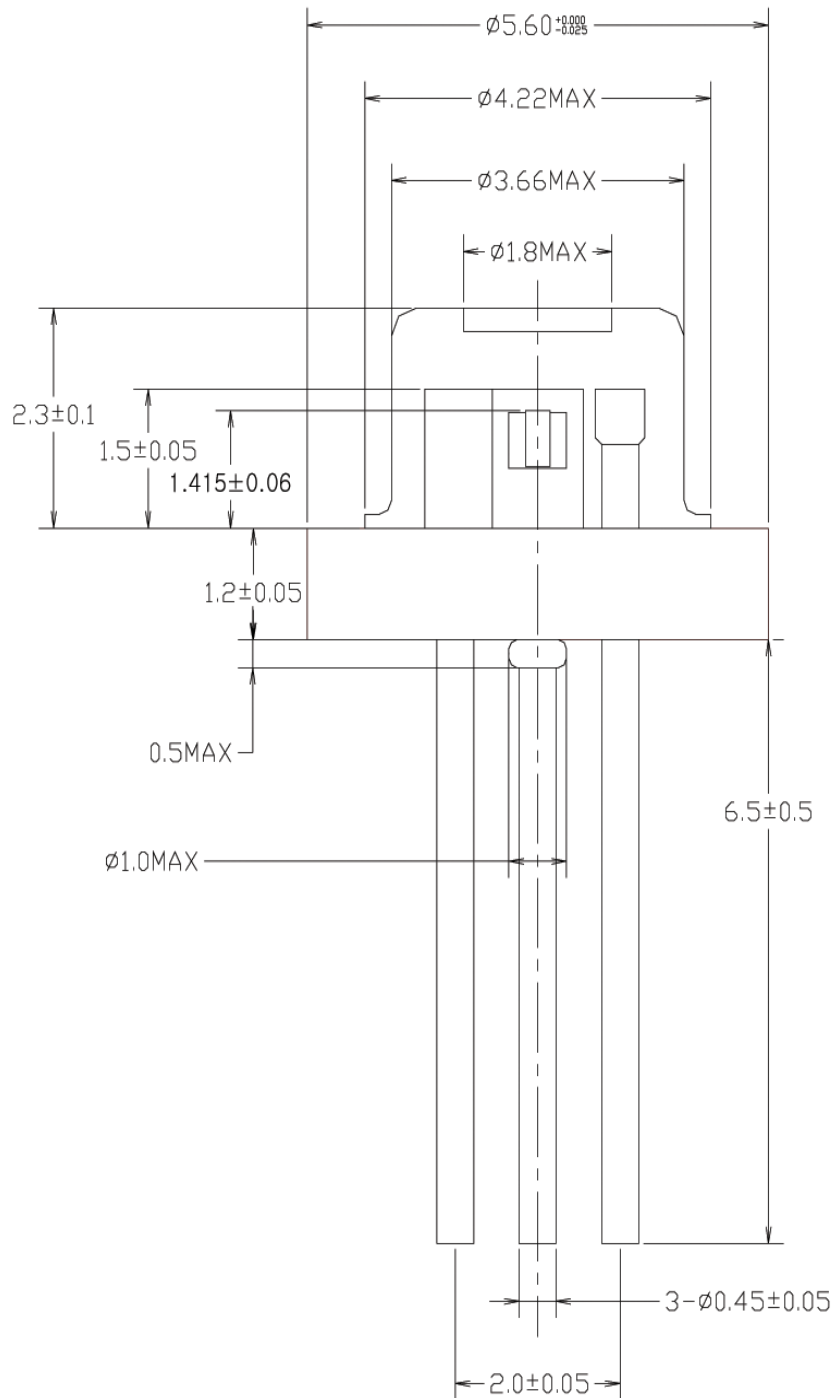
Package Type



P type

EGISMOS Red Laser Diode

Package Drawing



D6768550-a

EGISMOS

www.egismos.com
TEL: +1-360-389-3347
FAX: +1-360-326-7275
sales@egismos.com