

## D6-8-650-5

### Key features

Visible Light  $\lambda = 650\text{nm}$   
Output Power = 5mW  
Package Type= 5.6mm $\Phi$

### Applications

Laser Pointer & General Purpose Red Laser Light Source  
Bar Code Reader & High Precision Measuring Instruments  
Laser Module & High Precision Engineering Instruments

### Electrical and Optical Characteristics at $T_c = -25^\circ\text{C}$

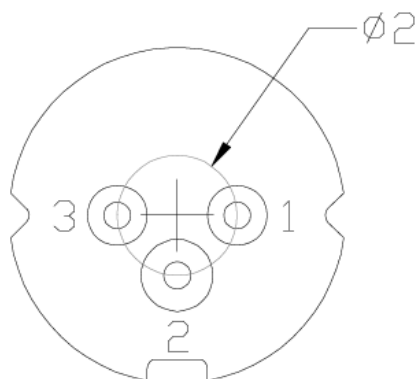
Item	Symbols	Min.	Typ.	Max.	Unit	Condition
Optical Output Power	Po	-	7	-	mW	-
Threshold Current	Ith	-	20	30	mA	Po=7mW
Operating Current	Iop	-	30	40	mA	Po=7mW
Differential Efficiency	SE	0.65	0.85	1.1	mW/mA	Po=7mW
Monitor Current	Im	0.1	0.2	0.3	mA	Po=7mW
Operating Voltage	Vop	-	2.2	2.5	V	Po=7mW
Peak Wavelength	$\lambda_p$	645	655	660	nm	Po=7mW
Beam Divergence	$\theta_{//}$	6	9	12	deg	Po=7mW
	$\theta_{\perp}$	25	28	32	deg	Po=7mW
Beam Deviation Angle	$\Delta\theta_{//}$	-3	-	3	deg	Po=7mW
	$\Delta\theta_{\perp}$	-3	-	3	deg	Po=7mW

# EGISMOS Red Laser Diode

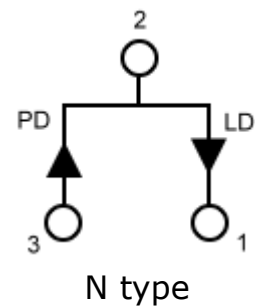
## Absolute Maximum Rating at Tc=25°C

Items	Symbols	Values	Unit
Optical Output Power	Po(CW)	7	mW
Laser Diode Reverse Voltage	V	2	V
Photo Diode Reverse Voltage	V	30	V
Operating Temperature	To	-10~+85	°C
Storage Temperature	Ts	-40~+85	°C

## Electrical Connection

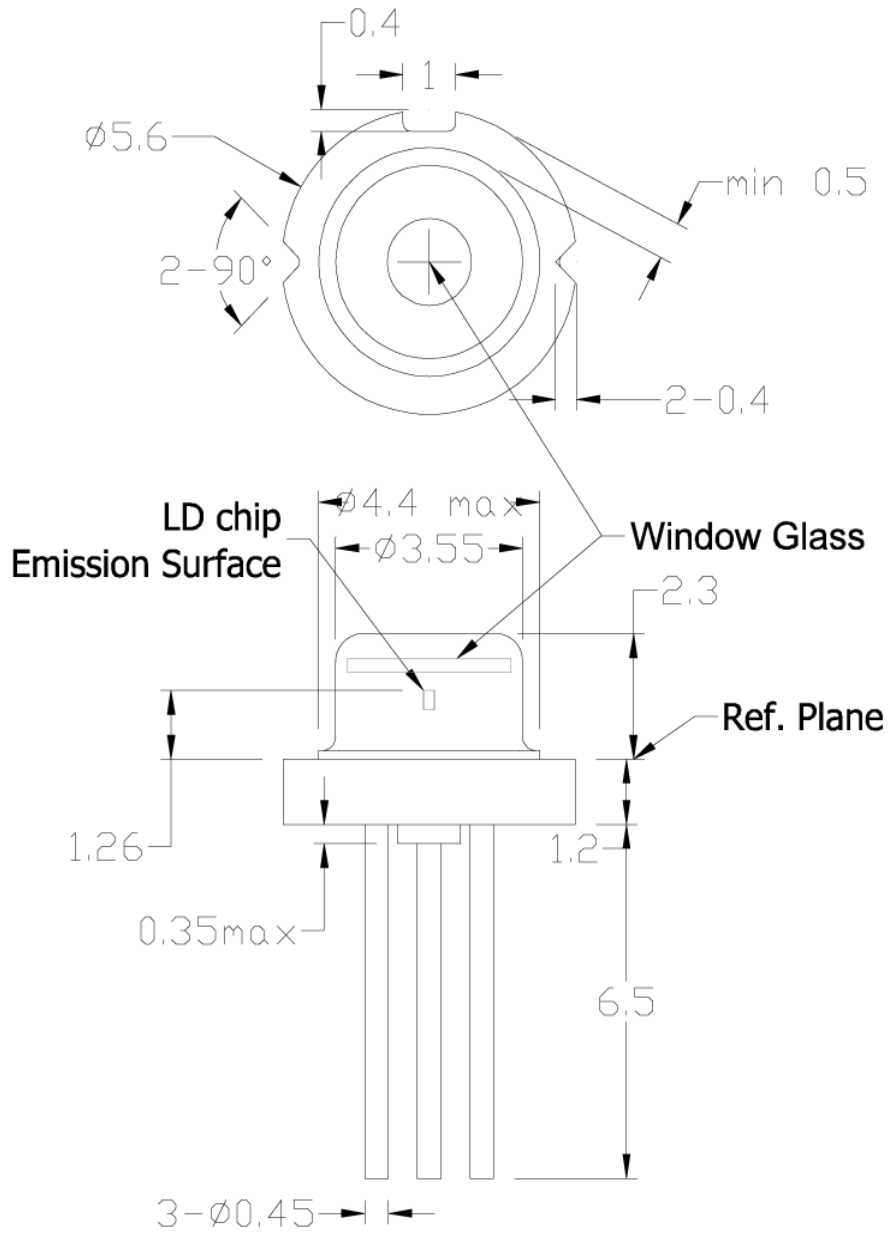


## Package Type



# Egismos Red Laser Diode

## Package Drawing



D686505-a

**Egismos**

www.egismos.com  
TEL: +1-360-389-3347  
FAX: +1-360-326-7275  
sales@egismos.com