

Egismos *DATASHEET*

O1-CP-3.6-1.3-M (CP361M)

Glass Laser Coupling Lens (Molding Glass Lens) Key features

*Coupling laser wavelength for 600nm~1500nm range
Molding glass lens production process
High temperature application to 160°C
High stability and reliability*



Part No./ Parameter	λ (nm)	Dia. (mm)	Working Distance (mm)	NA (LD) input side	NA output side	Smallest Coupling Beam Size (mm)
O1-CP-3.6-1.3-M (CP361M)	600~1500	3.6	10.6	0.5	0.1	0.1

Applications

*DPSS laser for coupling diode laser to the crystal
Fiber optics for coupling laser to the fiber
Industrial or equipment focus beam requirement
Small beam size or focus beam requirement for optical design
High temperature or adverse circumstance application*

Molding Glass Laser Coupling Lens Solutions

The molding glass collimator is designed as the aspherical lens technology and made by molding tool technology. It has both the features of aspherical and glass lens: high precision, small divergent angle, high stability, high reliability and good for mass production. Coupling lens produces a focus beam by laser diode divergent beam.

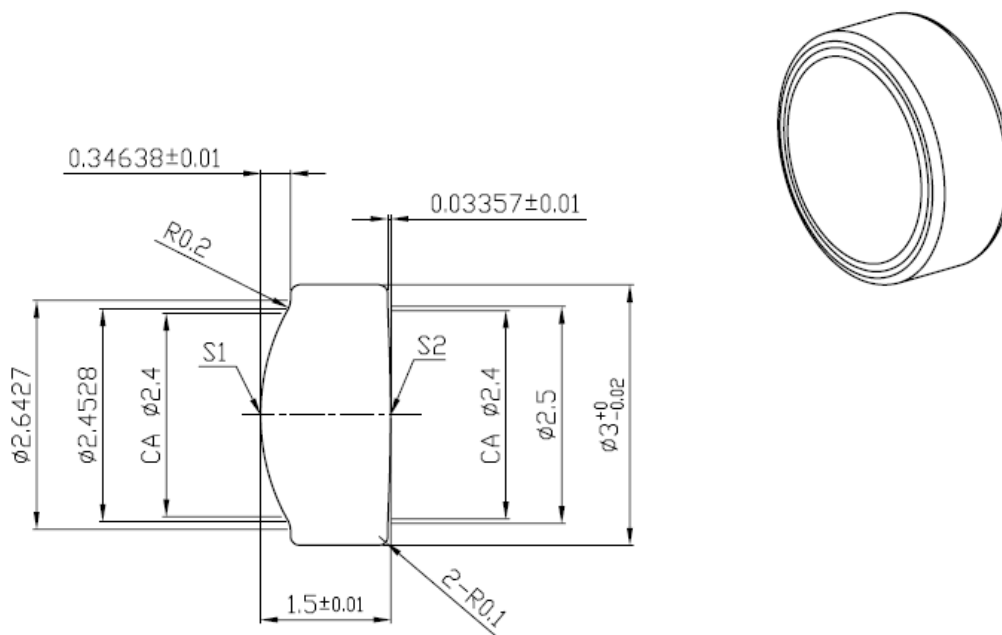
The CP(coupling lens) - M series is molding glass collimator. The adventure of aspherical lens can combine the requirements of 2 to 3 spherical lenses set in one. It has the features for smaller size, better performance, good capacity and quality control in mass production, even better price competence to glass lenses set. They are useful in a variety of applications involving DPSS laser crystal coupling, fiber coupling, industrial laser marking and laser optical system etc..

We provide several kinds of focal length, outer diameter and wavelength for option and best technical service. eGismos also provide the optics design and ODM/OEM service except the standard products as the data sheet list.

Egismos

<http://www.egismos.com>
TEL:+1-888-3481454
FAX:+1-604-4339864
E-Mail:sales@eGismos.com

EGISMOS *DATASHEET*



O1-CO-3.0-3.8-M (CO304M)

Egismos

<http://www.egismos.com>
TEL: +1-888-3481454
FAX: +1-604-4339864
E-Mail: sales@egismos.com

Egismos *DATASHEET*

Specifications (typical @ $t_c=25^{\circ}\text{C}$)

Item.	symbol	O1-CP-3.6-1.3-M
Material		Glass
Operating Wavelength	λ	600~1500nm
Numerical Aperture	NA (LD side) (output side)	0.5 (LD input side) 0.1 (image output side)
Effective Focal Length	EFL	1.33mm
Working Distance	WD	10.6mm
Front Focal Length		1mm
Wave Front Error	λ rms	$\leq 0.03\lambda$ (808nm)
Outer Diameter	OD (φ)	3.60mm \pm 0.01mm
Clear Aperture (Effective Diameter)	CA	2.4mm (R1) R1 Φ 2.4mm / R2 Φ 2.4mm
Center Thickness	CT	1.40mm \pm 0.02mm
Decenter		0.005mm
Transmission (AR Coating)	Tr	$\geq 97\%$ (Related to applied wave length)
Operating Temperature		-40 $^{\circ}\text{C}$ to +160 $^{\circ}\text{C}$
Storage Temperature		-60 $^{\circ}\text{C}$ to +240 $^{\circ}\text{C}$
Surface Quality (Mill Standard)		60/40



Egismos

<http://www.egismos.com>

TEL: +1-888-3481454

FAX: +1-604-4339864

E-Mail: sales@eGismos.com